



PARTS LIST FOR
WOS-30-OM10
WOS-30-OM30
(AFTER SERIAL #30000122)
OIL/WATER/SOLIDS SEPERATOR

Congratulations on the purchase of your new Mi-T-M Oil/Water/Solids Separator! This parts listing has been compiled for your benefit. You can be assured your Mi-T-M Oil/Water/Solids Separator was constructed and designed with quality and performance in mind. Each component has been rigorously tested to insure the highest level of acceptance.

The contents of this parts listing are based on the latest product information available at the time of publication. Mi-T-M reserves the right to make changes in price, color, materials, equipment, specifications or models at any time without notice.

WARNING

THIS IS A PROFESSIONAL OIL/WATER/SOLIDS SEPARATOR. CAUTION SHOULD BE OBSERVED WHEN USING OR REPAIRING THIS UNIT! READ AND FOLLOW THE SAFETY WARNINGS LISTED BELOW BEFORE ATTEMPTING ANY REPAIRS ON THIS OIL/WATER/SOLIDS SEPARATOR!

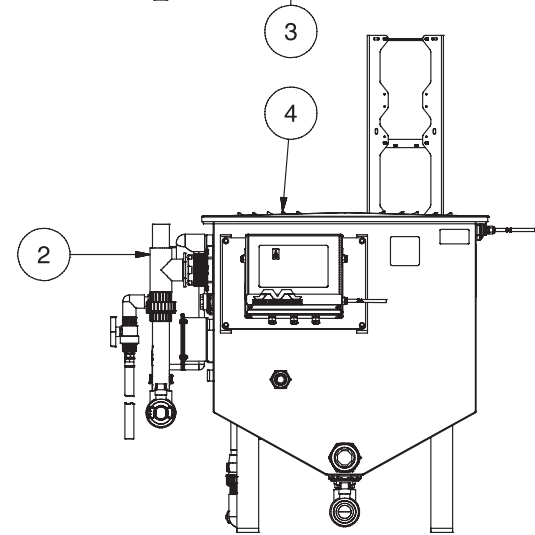
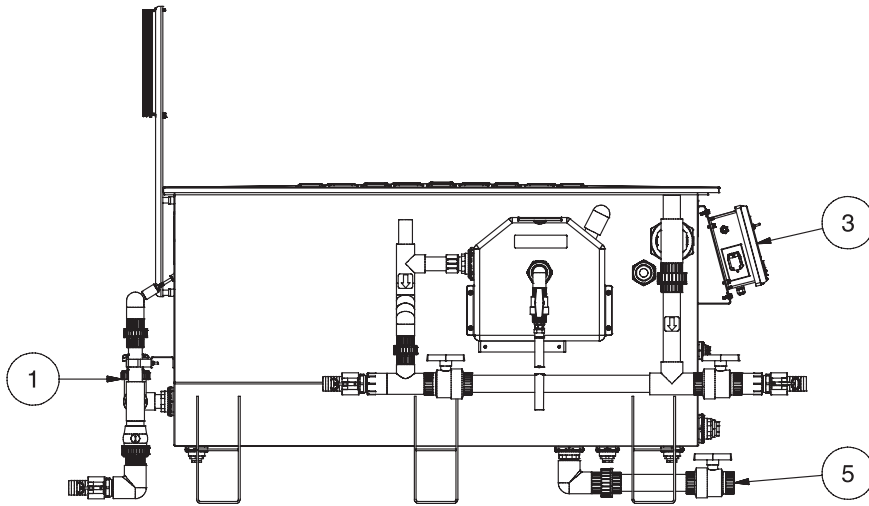
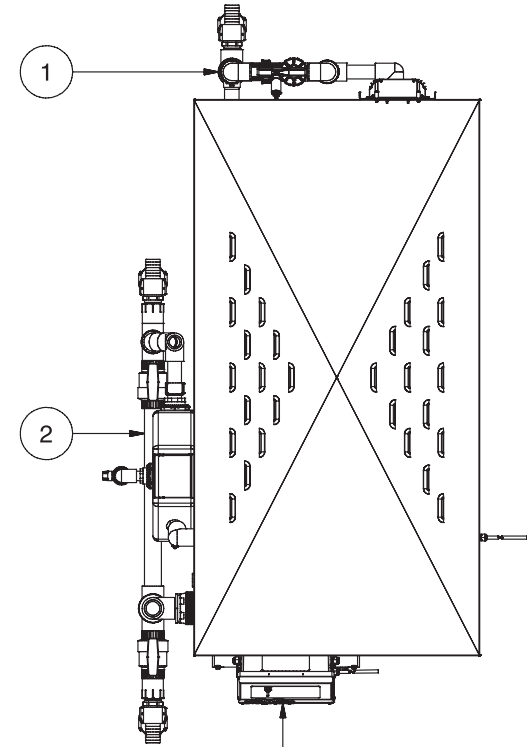
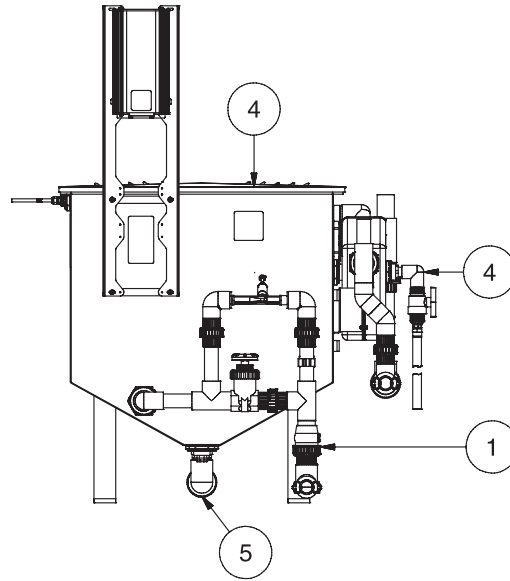
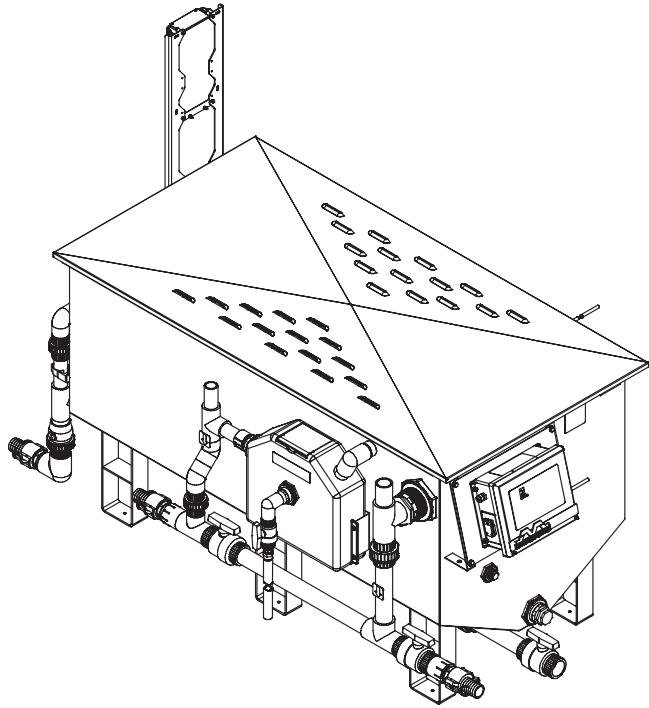
SAFETY WARNINGS

1. Serious injury or death could occur if the Oil/Water/Solids Separator is not properly grounded. Your Oil/Water/Solids Separator is powered by electricity and may cause electric shock or electrocution if not installed properly. Installation to this unit, including all electrical connections, must comply with all local, state and national codes. Any electrical wiring or repairs performed on this Oil/Water/Solids Separator should be done by Authorized Service Personnel in accordance with National and Local electrical codes.
2. NEVER alter or modify the equipment. Use only genuine Mi-T-M parts for repair of your Oil/Water/Solids Separator. Failure to do so can cause hazardous operating conditions and will VOID warranty.
3. Know how to stop and bleed pressures quickly. Be thoroughly familiar with controls. Do not operate without protective cover/guards. Follow the maintenance instructions specified in your operator's manual.
4. Before servicing, ALWAYS shut off the water and the unit. NEVER assume the Oil/Water/Solids Separator is safe to work on just because it is not operating. It could restart at any time! ALWAYS disconnect from the power source. Service in a clean, dry, flat area.
5. Be especially careful it properly dispose of any flammable materials. Consult Materials Safety Data Sheets for safe handling of chemicals used with your system, especially oxidizers and acids.

Table of Contents

MAIN ASSEMBLY	4
PLUMBING: INLET ASSEMBLY	6
TANK ASSEMBLY	8
PLUMBING: MAIN DRAIN ASSEMBLY	10
PLUMBING: OIL DECANter INLET	12
OIL DECANter ASSEMBLY	14
PLUMBING: TANK DRAIN	16
OZONE GENERATOR MOUNTING (AFTER SERIAL #30000122)	18
CONTROL PANEL ASSEMBLY	20
LADDER DIAGRAM (115V SINGLE PHASE)	22
WIRING SCHEMATIC (115V SINGLE PHASE)	23
LADDER DIAGRAM (230V SINGLE PHASE)	24
WIRING SCHEMATIC (230V SINGLE PHASE)	25
LADDER DIAGRAM (208-230V/460V THREE PHASE)	26
WIRING SCHEMATIC (208-230V/460V THREE PHASE)	27
AUTO DISCHARGE (WX-00001)	28

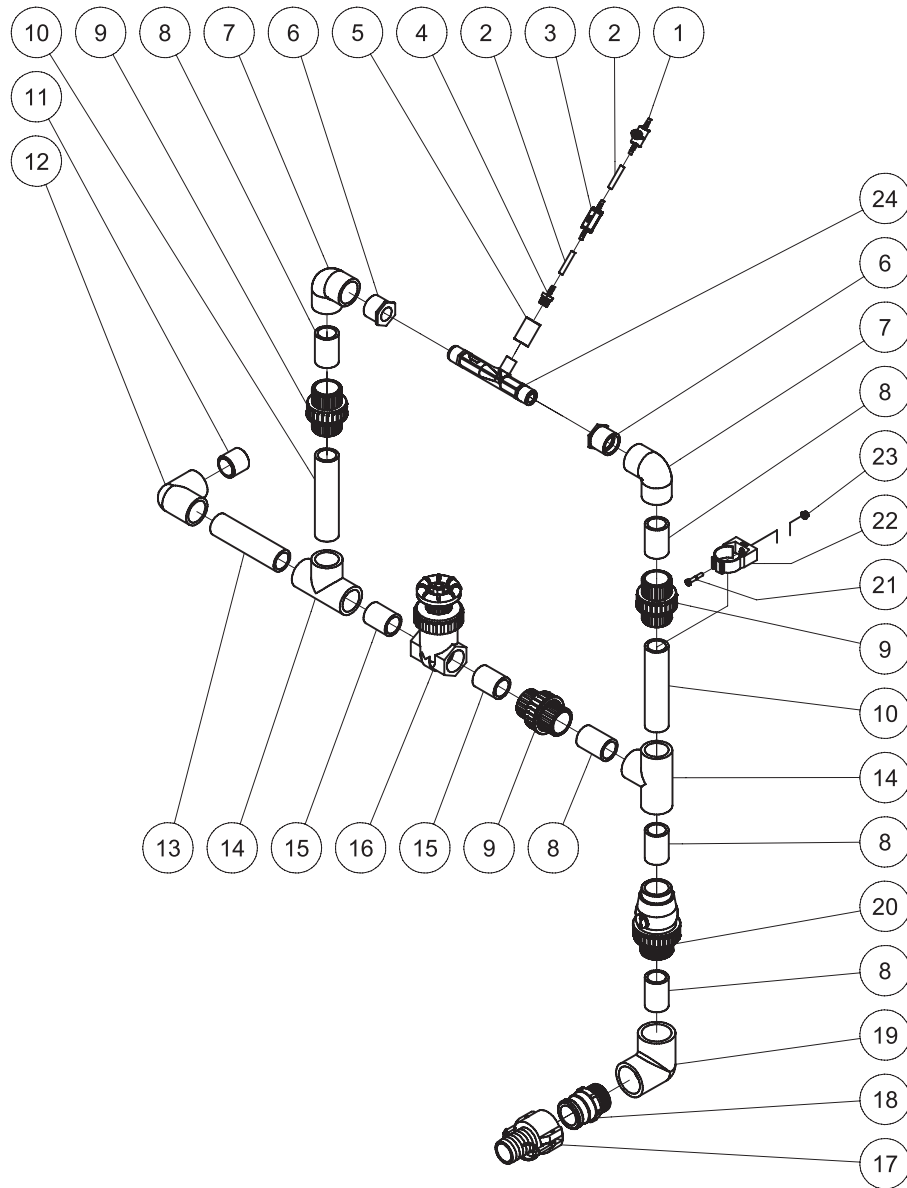
MAIN ASSEMBLY



WOS-30-0M10-060105-ASY

MAIN ASSEMBLY			
REF. #	DESCRIPTION	PART#	QTY.
1	Plumbing: Inlet (See Exploded Drawing)	N/A Sep.	1
2	Plumbing: Main Drain Assembly (See Exploded Drawing)	N/A Sep.	1
3	Control Panel Assembly (See Exploded Drawing)	N/A Sep.	1
4	Tank Assembly (See Exploded Drawing)	N/A Sep.	1
5	Plumbing: Tank Drain (See Exploded Drawing)	N/A Sep.	1

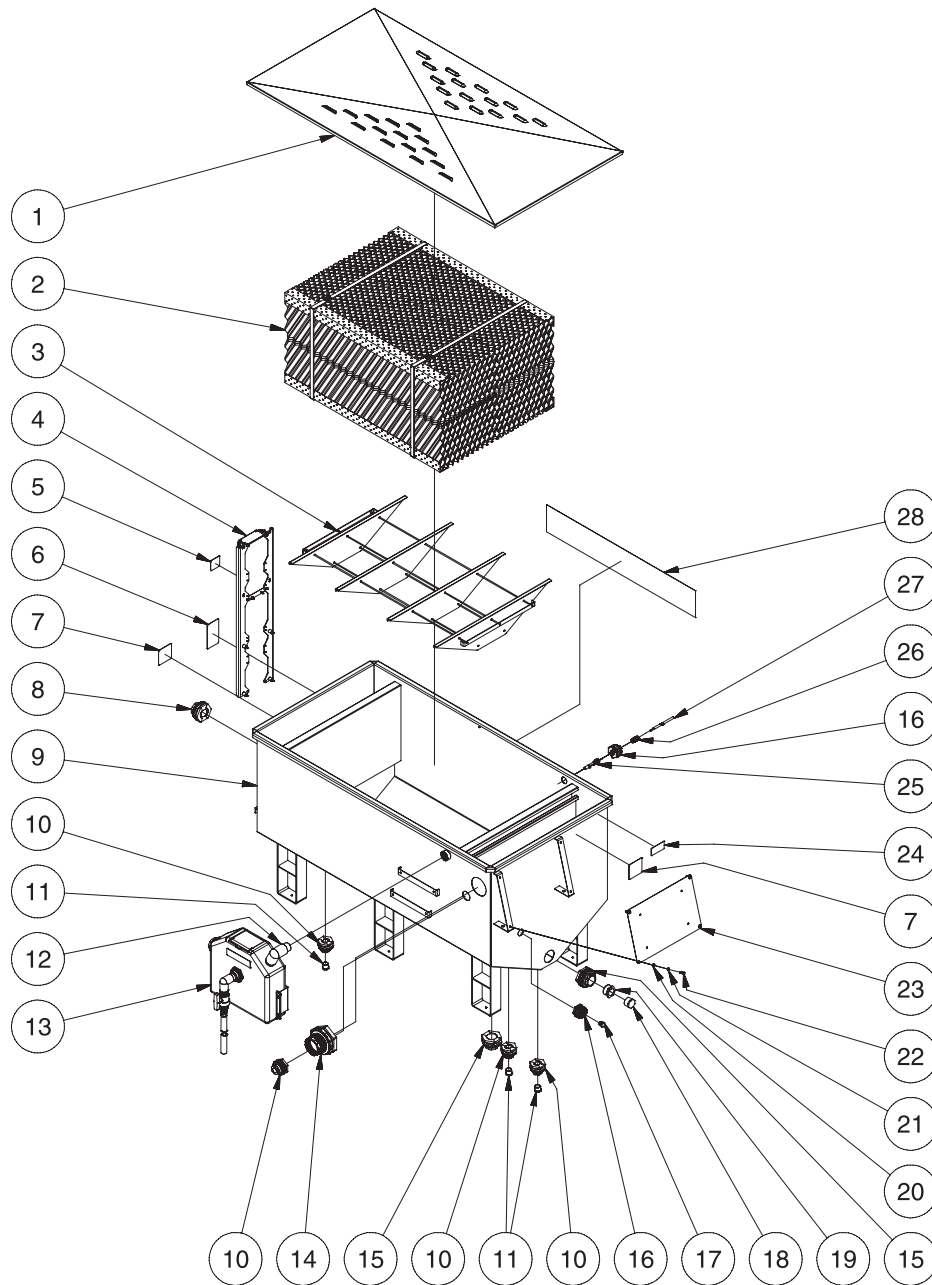
PLUMBING: INLET ASSEMBLY



INLET ASSY WOS-30-0M10-042307-PJH

PLUMBING: INLET ASSEMBLY							
REF. #	DESCRIPTION	PART#	QTY.	REF. #	DESCRIPTION	PART#	QTY.
1	2-way Valve	22-0074	1	13	Pipe *(1-1/2" x 7-1/8")	55-1600	1
2	Hose *(Six Feet Required)	15-0226	1	14	Tee	55-1601	2
3	Check Valve	22-0286	1	15	Pipe *(1-1/2" x 2-3/8")	55-1600	2
4	Adapter	55-0023	1	16	Gate Valve	55-1671	1
5	Coupler	55-0815	1	17	Cam and Groove Coupler	55-0055	1
6	Reducer Bushing	55-1629	2	18	Cam and Groove Adapter	55-0054	1
7	Elbow	55-1609	2	19	Elbow	55-1810	1
8	Pipe *(1-1/2" x 2-3/4")	55-1600	5	20	Ball Check Valve	55-1652	1
9	Union (Inc. 25-0448)	55-1645	3	21	Bolt	27-5031	1
-	O-ring	25-0448	3	22	Clamp	42-0026	1
10	Pipe *(1-1/2" x 7-3/4")	55-1600	2	23	Flange Nut	30-5202	1
11	Nipple	55-1674	1	24	Mazzei Injector	55-0015	1
12	Elbow	55-1610	1	*(Must Order in One Foot Lengths)			

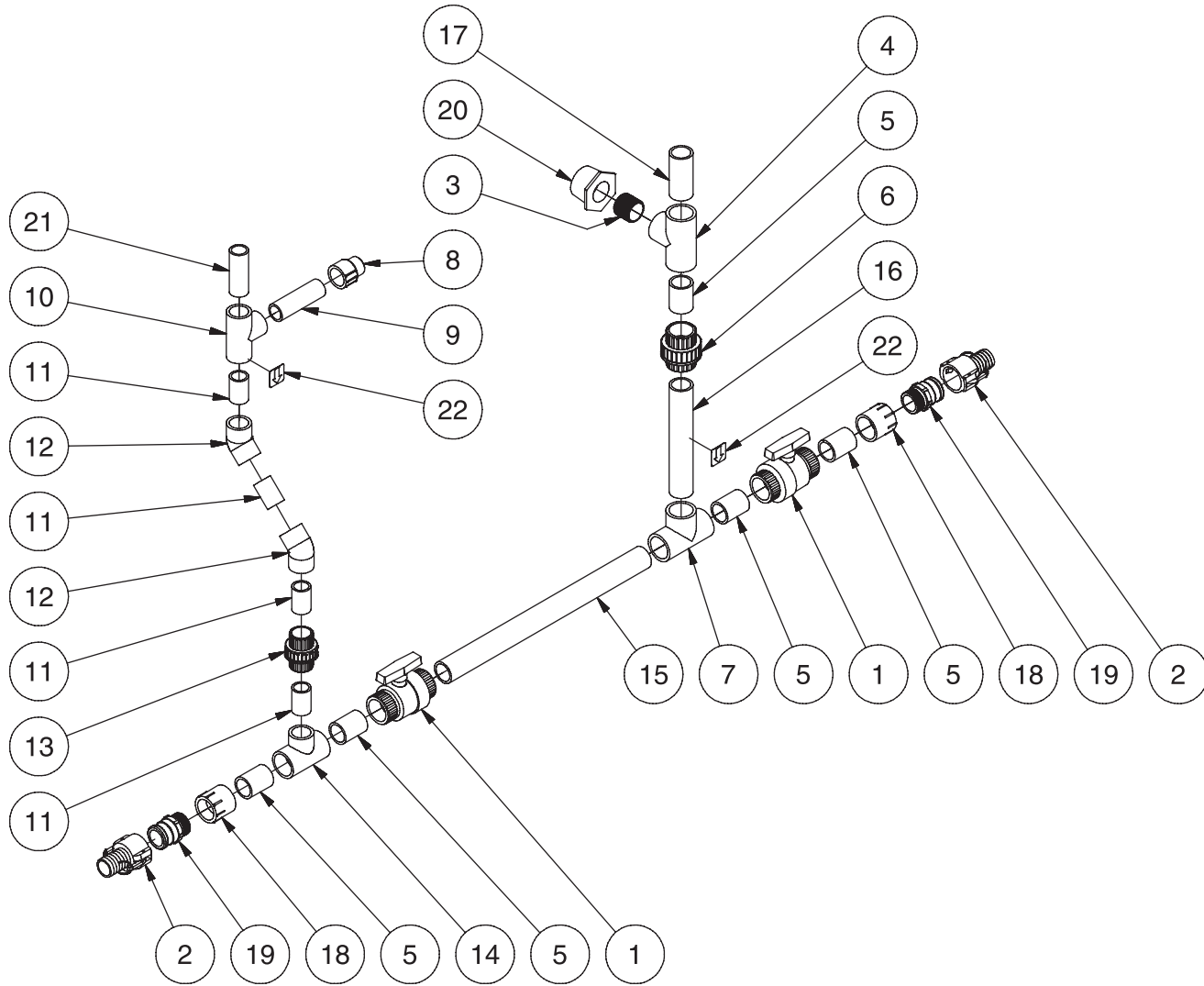
TANK ASSEMBLY



TANK ASSY-060105-ASY

TANK ASSEMBLY							
REF. #	DESCRIPTION	PART#	QTY.	REF. #	DESCRIPTION	PART#	QTY.
1	Tank Lid	56-0038	1	15	Bulkhead Fitting (Inc. 25-0481)	55-1886	2
2	Coalescing Pack	855-0008	1	-	O-ring	25-0481	2
3	Baffle Pack	21-0119	1	16	Bulkhead Fitting (Inc. 25-0506)	55-1886	2
4	Ozone Generator (See Exploded Drawing)	N/A Sep.	1	-	O-ring	25-0506	2
5	Decal- Warning: Inhalation Hazard	34-1602	1	17	Plug	55-0840	1
6	Decal- Warning: Electric / Inhalation	34-1635	1	18	Plug	55-1640	1
7	Decal- Caution: Non-Potable Water	34-0868	2	19	Reducer Bushing	55-1833	1
8	Bulkhead Fitting (Inc. 25-0481)	55-1686	1	20	Washer	28-0122	4
-	O-ring	25-0481	1	21	Lockwasher	29-1007	4
9	Tank Weldment	12-9082	1	22	Bolt	27-5024	4
10	Bulkhead Fitting (Inc. 25-0482)	55-1286	4	23	Adapter Plate	21-0122	1
-	O-ring	25-0482	4	24	Decal- Data Plate	N/A	1
11	Plug	55-1240	3	25	Liquid Level Switch	32-0533	1
12	Plumbing: Oil Decanter Inlet (See Exploded Drawing)	N/A Sep.	1	26	Strain Relief	32-0437	1
13	Oil Decanter Assembly (See Exploded Drawing)	N/A Sep.	1	27	Cord *(Six Feet Required)	32-0075	1
14	Bulkhead Fitting	55-2286	1	28	Decal- Stripe	34-0347	1
*Must Order in One Foot Lengths							

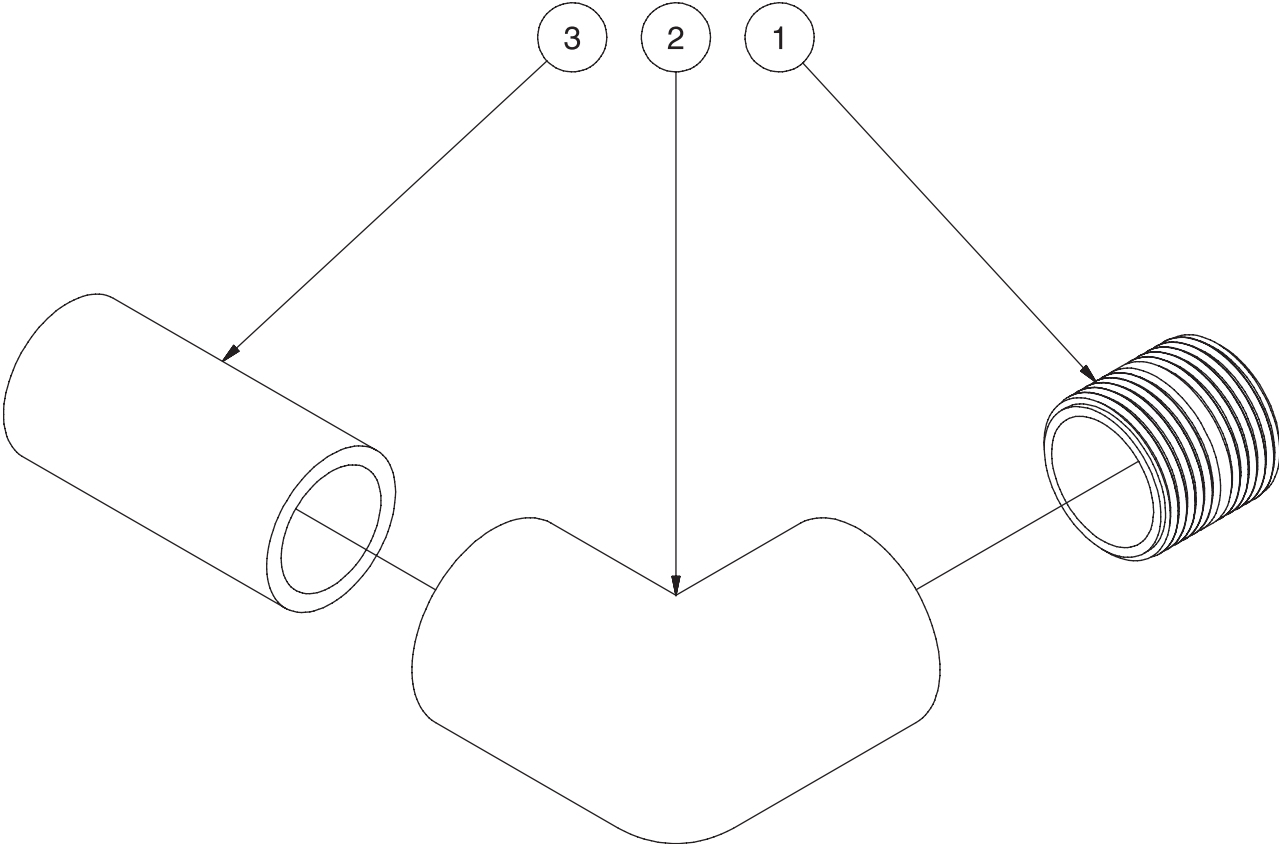
PLUMBING: MAIN DRAIN ASSEMBLY



MAIN DRAIN ASSY-052705-ASY

PLUMBING: MAIN DRAIN ASSEMBLY							
REF. #	DESCRIPTION	PART#	QTY.	REF. #	DESCRIPTION	PART#	QTY.
1	Ball Valve	55-1855	2	12	Elbow	55-1612	2
2	Cam and Groove Coupler	55-0055	2	13	Union (Inc. 25-0448)	55-1645	1
3	Nipple	55-1874	1	-	O-ring	25-0448	1
4	Tee	55-1807	1	14	Tee	55-1802	1
5	Pipe *(2" x 3")	55-1800	5	15	Pipe *(2" x 27-3/4")	55-1800	1
6	Union (Inc. 25-0449)	55-1845	1	16	Pipe *(2" x 12-7/8")	55-1800	1
-	O-ring	25-0449	1	17	Pipe *(2" x 5")	55-1800	1
7	Tee	55-1801	1	18	Female Adapter	55-1821	2
8	Male Adapter	55-1622	1	19	Cam and Groove Adapter	55-0054	2
9	Pipe *(1-1/2" x 6")	55-1600	1	20	Reducer Bushing	55-2234	1
10	Tee	55-1601	1	21	Pipe *(1-1/2" x 5")	55-1600	1
11	Pipe *(1-1/2" x 2-3/4")	55-1600	4	22	Decal- Arrow	34-0883	2
*Must Order in One Foot Lengths							

PLUMBING: OIL DECANTER INLET

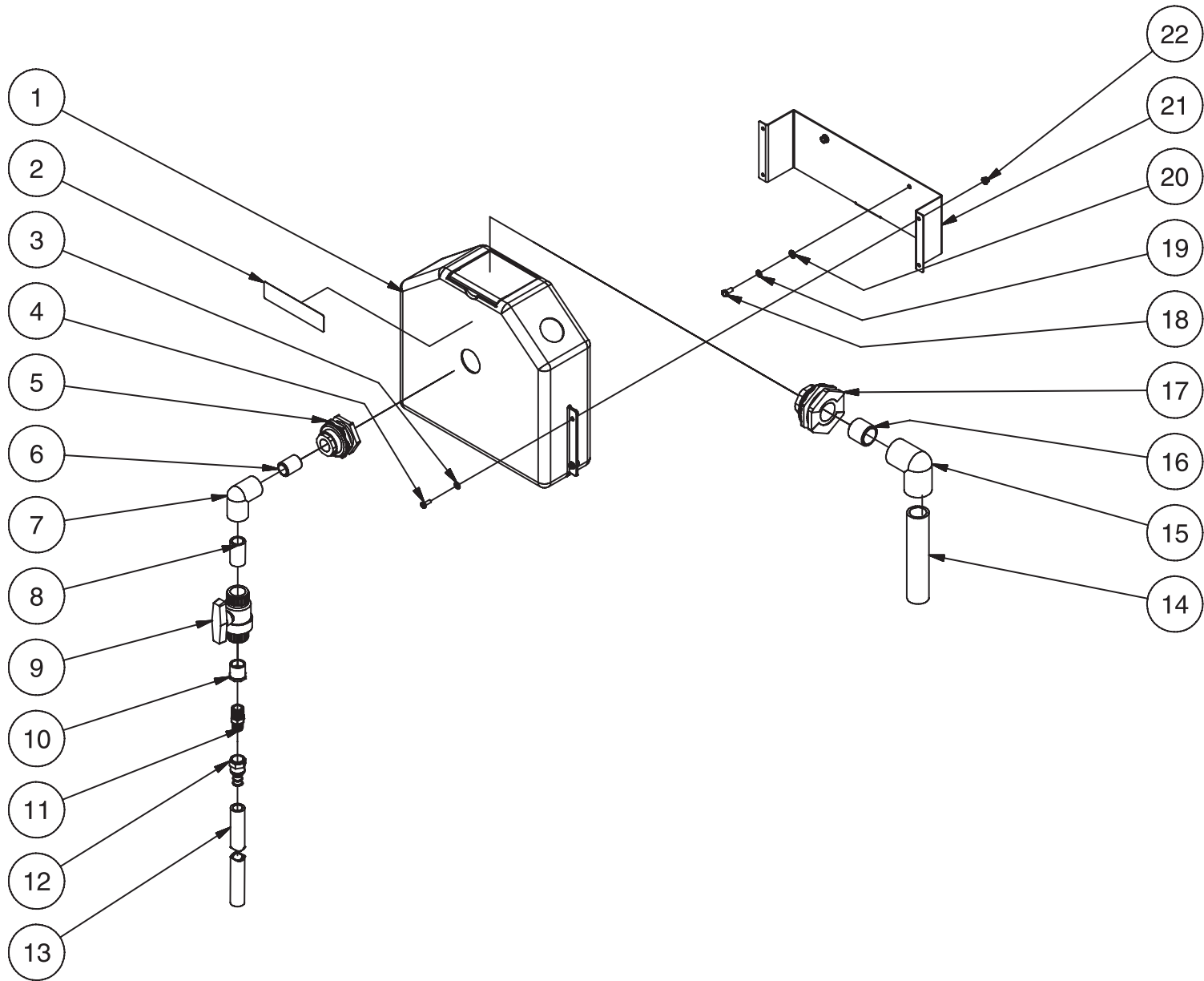


OIL DECANTER INLET-030304-ASY

OIL DECANTER INLET-030304-ASY

PLUMBING: OIL DECANTER INLET			
REF. #	DESCRIPTION	PART#	QTY.
1	Nipple	12-0124	1
2	Elbow	34-1151	1
3	Pipe *(1-1/2" x 3-7/8")	55-1600	1
*Must Order in One Foot Lengths			

OIL DECANTER ASSEMBLY

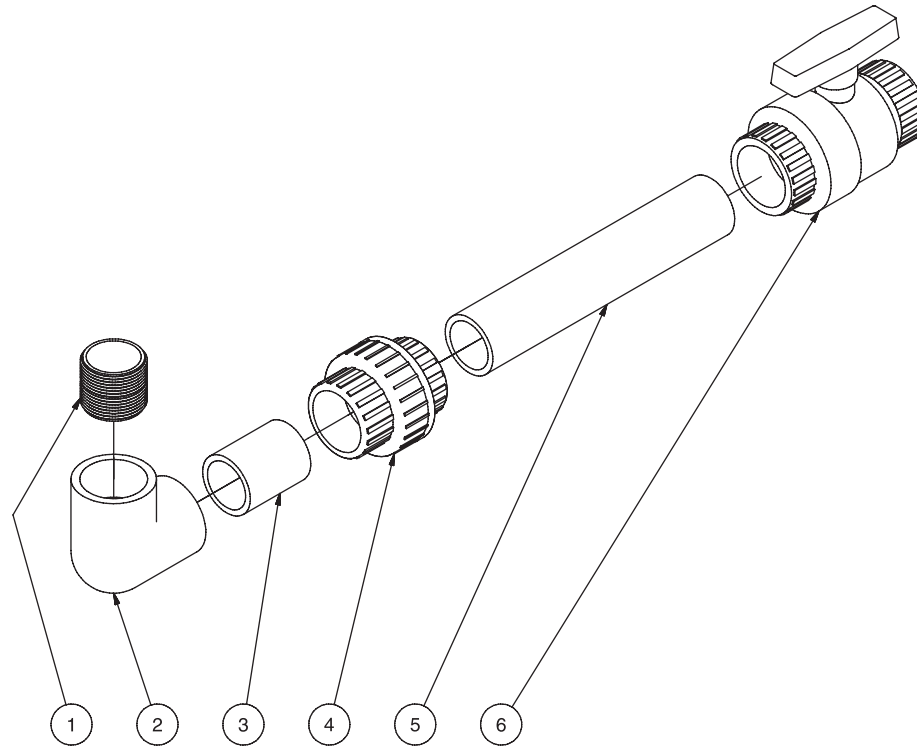


OIL DECANTER ASSY-021105-ASY

OIL DECANTER ASSY-021105-ASY

OIL DECANTER ASSEMBLY			
REF. #	DESCRIPTION	PART#	QTY.
1	Oil Decanter Tank	12-0124	1
2	Decal- Oil Decanter	34-1151	1
3	Washer	28-0121	4
4	Bolt	27-5016	4
5	Bulkhead Fitting (Inc. O-ring 25-0482)	55-1286	1
-	O-ring	25-0482	1
6	Nipple	55-1274	1
7	Elbow	55-1210	1
8	Pipe *(1" x 2-1/4")	55-1200	1
9	Ball Valve	55-1255	1
10	Reducer Bushing	55-1228	1
11	Nipple	23-0362	1
12	Hose Barb	23-0358	1
13	Hose *(Seven Feet Required)	15-0033	1
14	Pipe *(1-1/2" x 9")	55-1600	1
15	Elbow	55-1610	1
16	Nipple	55-1674	1
17	Bulkhead Fitting (Inc. O-ring 25-0481)	55-1686	1
-	O-ring	25-0481	1
18	Bolt	27-5066	2
19	Lockwasher	29-0007	2
20	Washer	28-0122	2
21	Mounting Bracket	21-0172	1
22	Flange Nut	30-5202	4
*Must Order in One Foot Lengths			

PLUMBING: TANK DRAIN

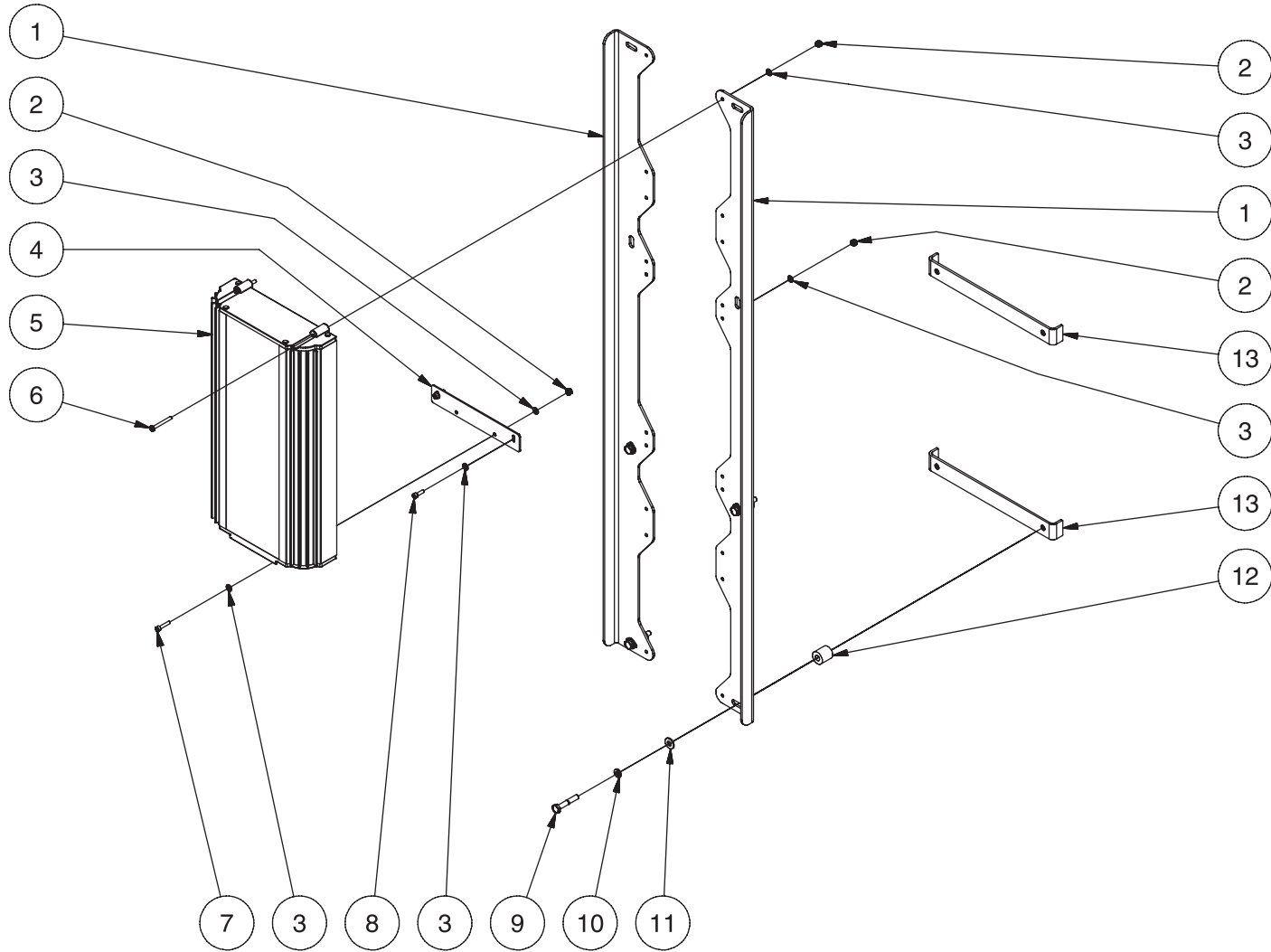


TANK DRAIN-060105-ASY

TANK DRAIN-060105-ASY

PLUMBING: TANK DRAIN			
REF. #	DESCRIPTION	PART#	QTY.
1	Nipple	55-1874	1
2	Elbow	55-1810	1
3	Pipe *(2" x 3")	55-1800	1
4	Union (Inc. 25-0449)	55-1845	1
-	O-ring	25-0449	1
5	Pipe *(2" x 12")	55-1800	1
6	Ball Valve	55-1855	1
*Must Order in One Foot Lengths			

OZONE GENERATOR MOUNTING (AFTER SERIAL #30000122)

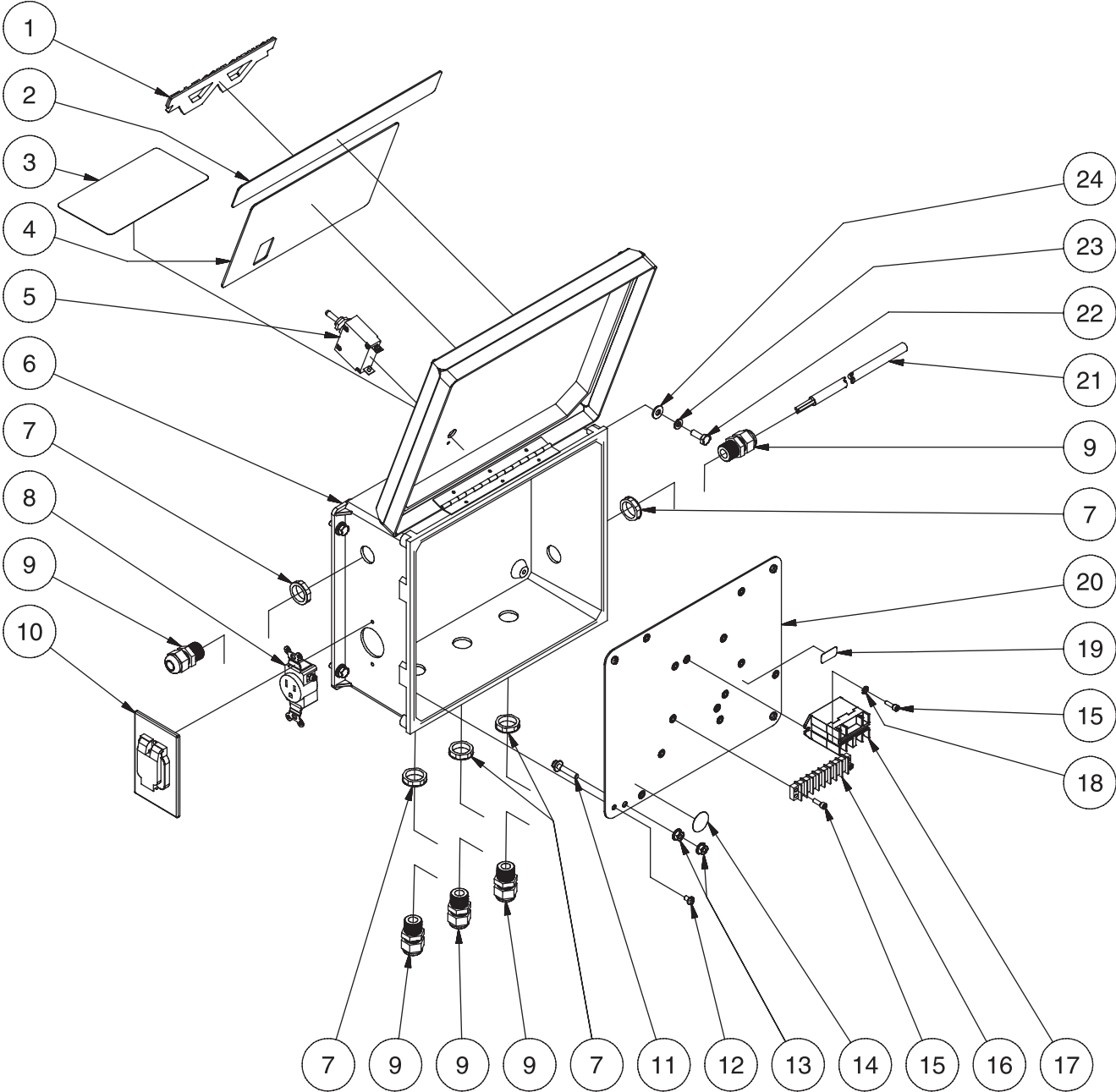


WLP_WOS OZONE GENERATOR MOUNTING DETAIL-012305-ASY

WLP_WOS OZONE GENERATOR MOUNTING DETAIL-012605-ASY

OZONE GENERATOR			
REF. #	DESCRIPTION	PART#	QTY.
1	Ozone Generator Bracket	21-0216	2
2	Locknut	30-8152	6
3	Washer	28-0010	10
4	Ozone Generator Fit Plate	21-0219	1
5	Ozone Generator	32-0861	1
6	Screw	27-5032	2
7	Screw	27-8930	2
8	Screw	27-8835	2
9	Screw	27-5031	4
10	Lockwasher	29-1006	4
11	Washer	28-0121	4
12	Spacer	33-0358	4
13	Tank Brackets	N/A	1

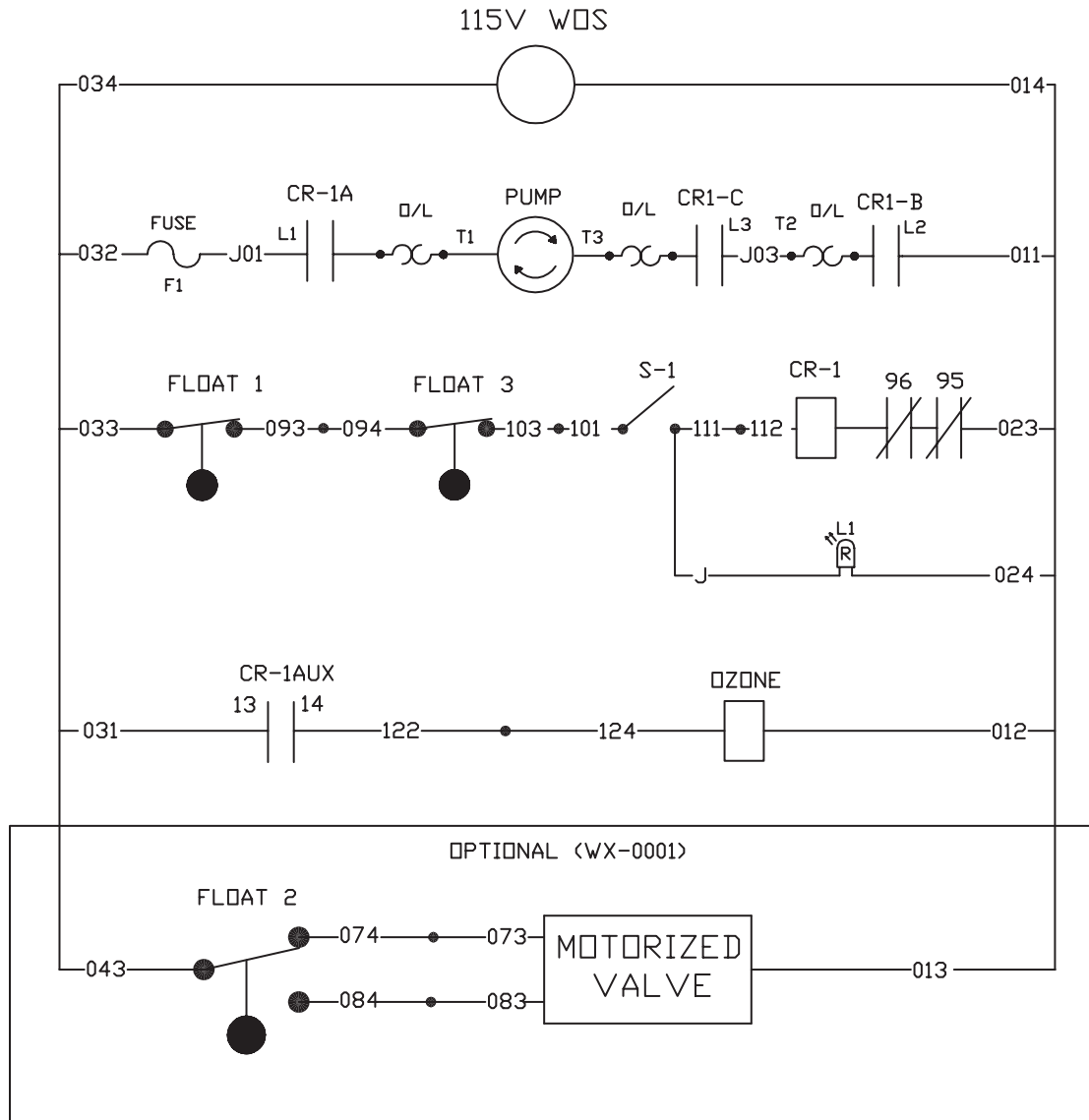
CONTROL PANEL ASSEMBLY



CONTROL PANEL ASSY-052405-ASY

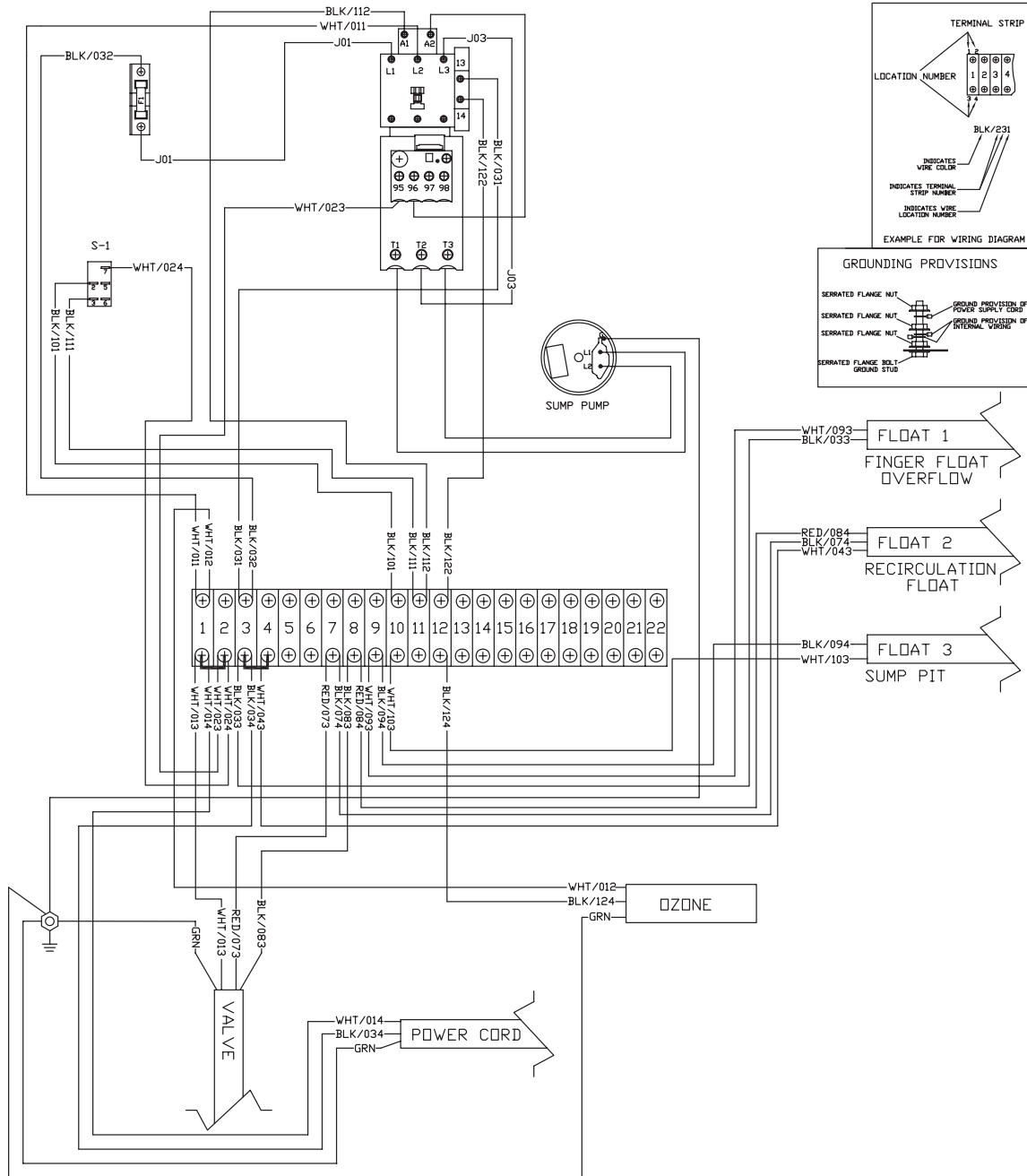
CONTROL PANEL ASSEMBLY							
REF. #	DESCRIPTION	PART#	QTY.	REF. #	DESCRIPTION	PART#	QTY.
1	Decal- Plastic Logo	62-0087	1	13	Flange Nut	30-3022	2
2	Decal- Stripe	34-0502	1	14	Decal- Ground Pictorial	34-0889	1
3	Decal- Warning: Risk of Electrocutation	34-0884	1	15	Screw	27-8835	4
4	Decal- Operation	34-0906	1	16	Terminal Strip	32-0436	1
5	Switch	32-0348	1	17	Relay	32-0633	1
6	Control Panel	32-0571	1	18	Lockwasher	28-1009	2
7	Locknut	32-0108	6	19	Decal- 115 Volt	34-0897	1
8	Receptacle	32-0634	1	20	Electrical Plate	20-0485A05	1
9	Strain Relief	32-0437	6	21	Cord *(Twenty Feet Required)	32-0074	1
10	Receptacle Cover	32-0635	1	22	Screw	27-5016	4
11	Flange Nut	27-8898	1	23	Lockwasher	29-1006	4
12	Screw	27-8933	4	24	Washer	28-0121	4
*Must Order in One Foot Lengths							

LADDER DIAGRAM (115V SINGLE PHASE)



LADDER DIAGRAM - WOS-15_30-0M10 115V 1PHASE

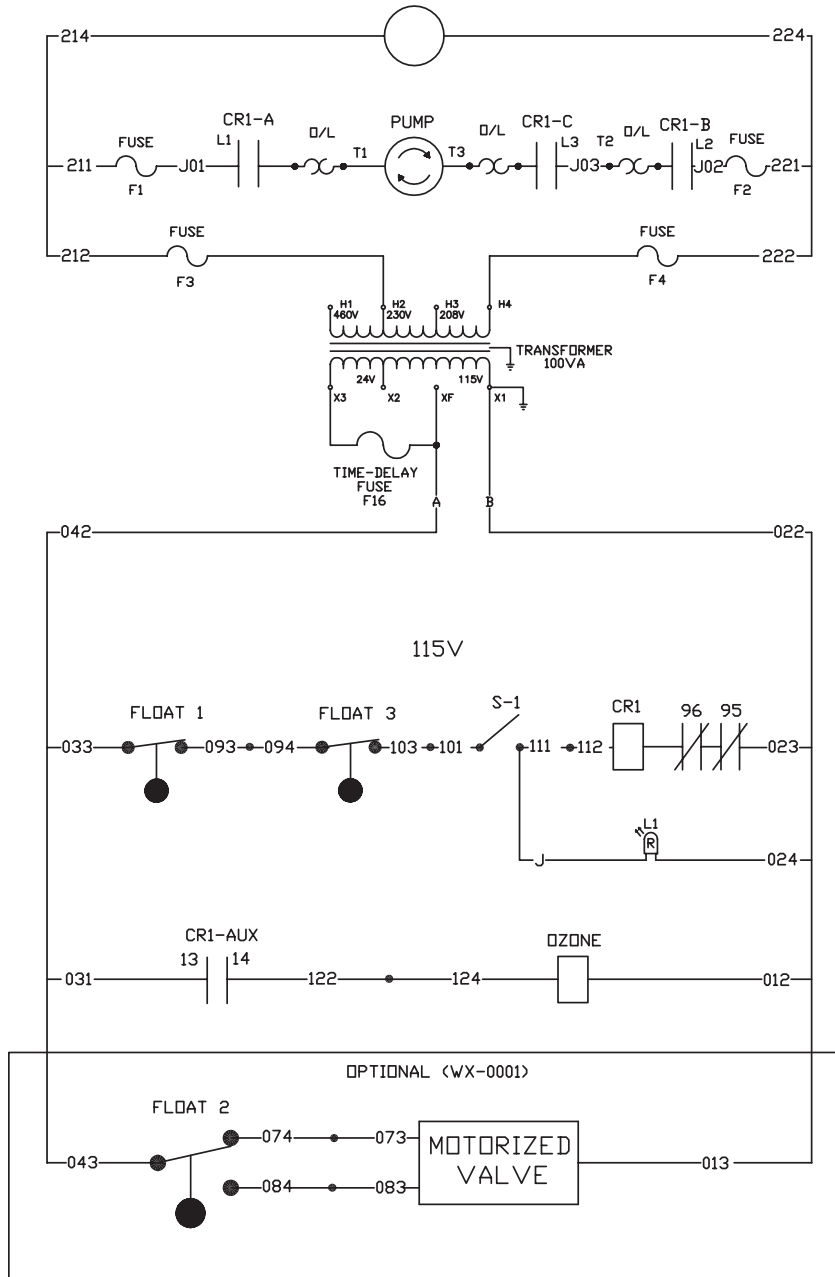
WIRING SCHEMATIC (115V SINGLE PHASE)



WIRE SCHEMATIC - WOS-15_30-0M10 115V 1PHASE

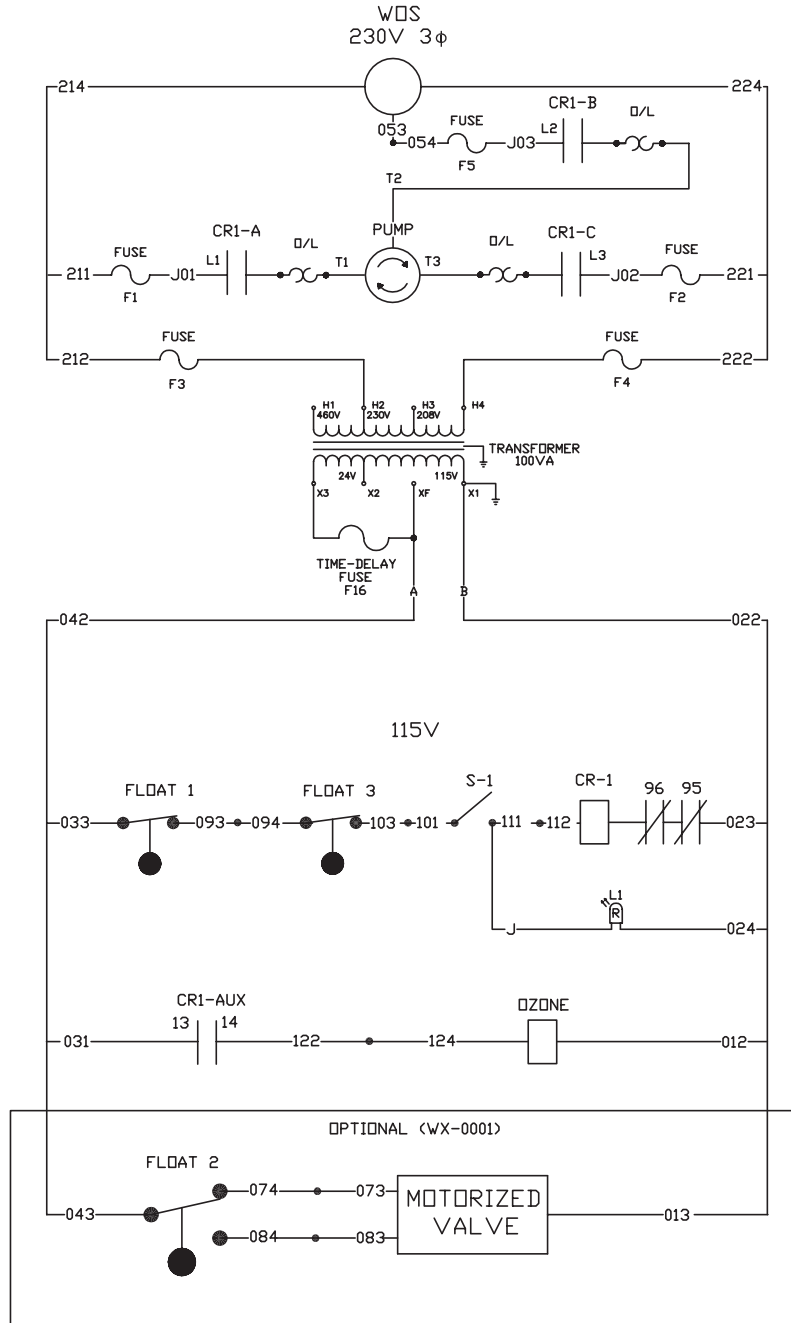
LADDER DIAGRAM (230V SINGLE PHASE)

WDS
230V 1φ



LADDER DIAGRAM - WOS-15_30-0M10 230 1PHASE

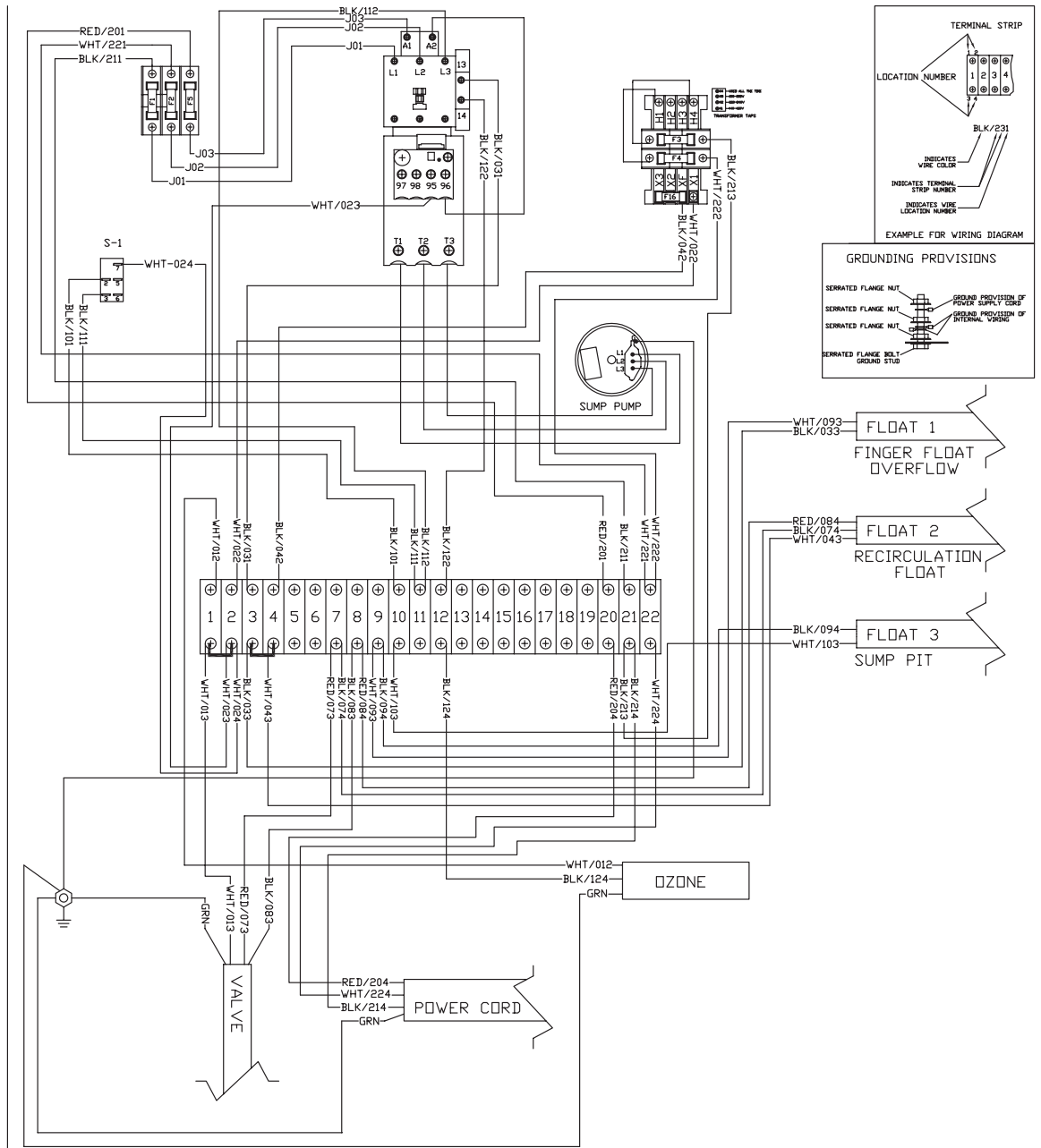
LADDER DIAGRAM (208-230V/460V THREE PHASE)



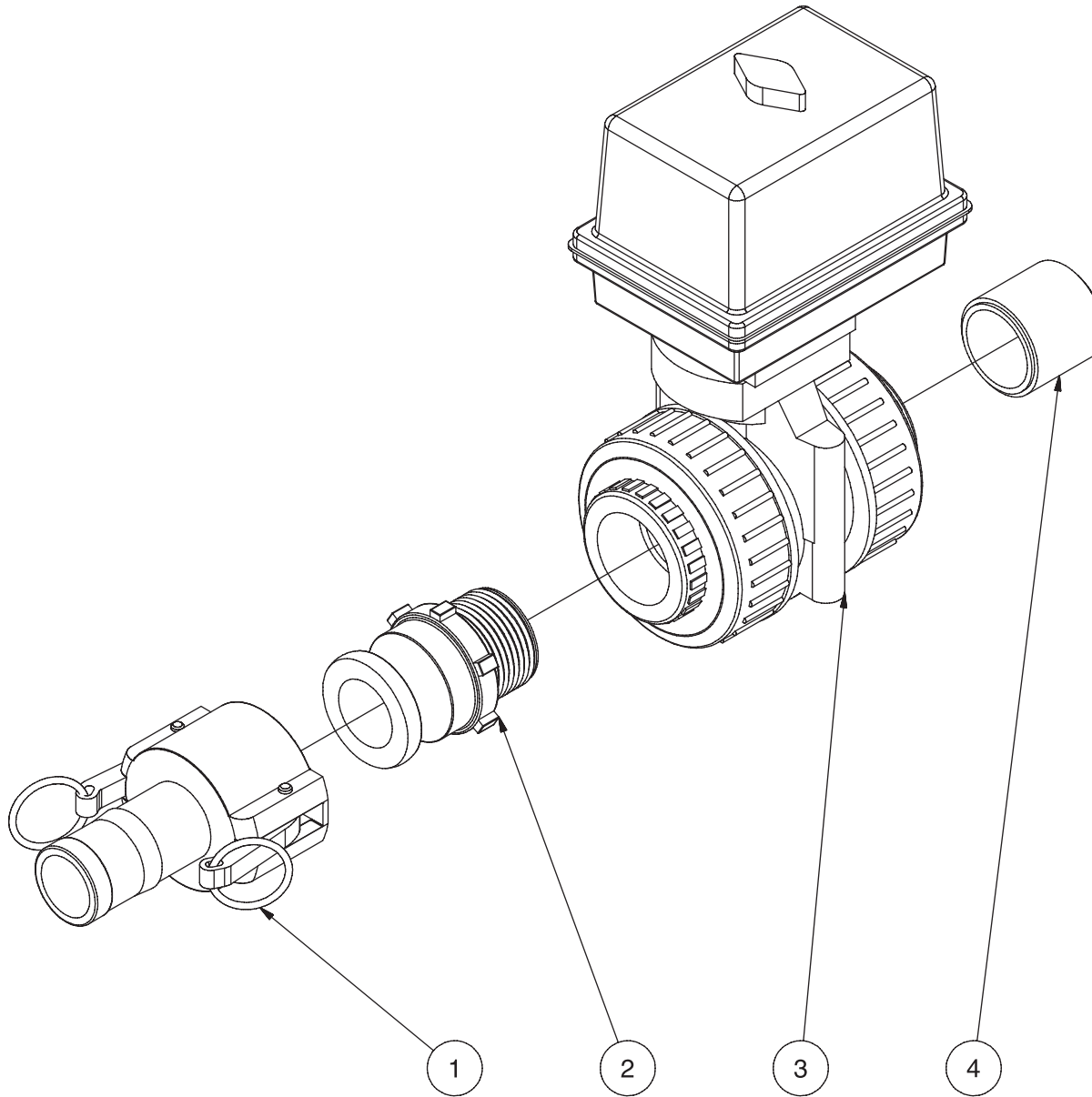
LADDER DIAGRAM - WOS-15_30-0M10 208-230_460V 3PHASE

WIRING SCHEMATIC (208-230V/460V THREE PHASE)

WIRE SCHEMATIC - WOS-15_30-0M10 208-230_460V 3PHASE



AUTO DISCHARGE (WX-00001)



WX-0001-071305-ASY

WX-0001-071305-ASY

AUTO DISCHARGE (WX-0001)			
REF. #	DESCRIPTION	PART#	QTY.
1	Cam and Groove Coupler	55-0053	1
2	Cam and Groove Adapter	55-0024	1
3	Ball Valve	55-0025	1
4	Nipple	55-1674	1

Manufactured by Mi-T-M
8650 Enterprise Drive, Peosta IA 52068
563-556-7484/ Fax 563-556-1235