



PARTS LIST FOR

***GEN-3000-0MHO***

***GEN-3000-1MHO*** (after serial #40072447)

***GEN-3000-1MKO***

***GEN-4000-0MHO*** (after serial #40056185)

***GEN-4000-0MSO*** (after serial #40036451)

***GEN-5000-0MSO*** (after serial #40060725)

***GEN-5000-0MHO***

***GEN-5000-0MKO***

This Parts Listing has been compiled for your benefit. You can be assured your Mi-T-M Generator was constructed and designed with quality and performance in mind using over 25 years experience in the pressure washer business. Each component has been rigorously tested to insure the highest level of acceptance.

The contents of this Parts Listing are based on the latest product information available at the time of publication. Mi-T-M reserves the right to make changes in price, color, materials, equipment, specifications or models at any time without notice.

**WARNING**

CAUTION SHOULD BE OBSERVED WHEN USING OR REPAIRING THIS UNIT! READ AND FOLLOW THE SAFETY WARNINGS LISTED BELOW BEFORE ATTEMPTING ANY REPAIRS ON THIS GENERATOR!

**SAFETY WARNINGS**

1. NEVER alter or modify the equipment. Use only genuine Mi-T-M replacement parts for repair of your generator. Failure to do so can cause hazardous operating conditions and will VOID warranty.
2. NEVER make adjustments on machinery while the unit is connected to the engine without first removing the ignition cable from the spark plug. Turning over the machinery by hand during adjustment or cleaning might start the engine and machinery with it, causing serious injury to the operator.
3. Do not operate the unit without all protective covers in place. Know how to stop the generator and turn off circuits quickly. Be thoroughly familiar with controls.
4. Before servicing the unit, turn unit off and allow the unit to cool down. Do not make repairs while the unit is running. Service in a clean, dry, flat area. Block the wheels to prevent the unit from moving. Be especially careful to properly dispose of any flammable materials.

**TABLE OF CONTENTS**

SPECIFICATIONS.....3

NOTES.....4

GEN-3000-0MH0 .....6

GEN-3000-1MH0 (AFTER SERIAL #40072447) AND GEN-3000-1MK0 .....8

GEN-4000-0MH0 (AFTER SERIAL #40056185) .....10

GEN-4000-0MS0 (AFTER SERIAL #40036451) GEN-5000-0MS0 (AFTER SERIAL # 40060725) .....12

GEN-5000-0MK0 AND GEN-5000-0MH0 .....14

ALTERNATOR ASSEMBLY (32-0823) .....16

ALTERNATOR ASSEMBLY (32-0824) .....17

ALTERNATOR ASSEMBLY (32-1035) .....18

E-BOX ASSEMBLY (32-9501).....19

FUEL TANK ASSEMBLY (856-0026).....20

FUEL TANK ASSEMBLY (856-0028).....21

WIRE DIAGRAM FOR GEN-3000 .....22

WIRE DIAGRAM FOR GEN-4000 & GEN-5000.....23

## SPECIFICATIONS

MODEL NUMBER	GEN-3000-0MH0	GEN-3000-1MH0	GEN-3000-1MK0
Engine:	Honda GX160		Kohler 208cc
Watts (AC) Rated:	2450W		
Watts (AC) Max.:	3000W		
Rated Voltage (AC):	120V		
Max. Amperage:	25.0A		
Cont. Amperage:	20.4A		
Frequency:	60HZ		
Fuel Tank Capacity:	1.0 gal.	2.6 gal.	
Run Time Hours / Tank of Fuel*:	2.7 hrs.	7.0 hrs.	
* Rated at Full Load			

MODEL NUMBER	GEN-4000-0MH0	GEN-4000-0MS0	GEN-5000-0MS0	GEN-5000-0MK0	GEN-5000-0MH0
Engine:	Honda GX240	Subaru EX21	Subaru EX30	Kohler CH395	Honda GX270
Watts (AC) Rated:	3500W		4400W		
Watts (AC) Max.:	4000W		5000W		
Rated Voltage (AC):	120/240V				
Max. Amperage:	33.3A / 16.7A		41.7A / 20.8A		
Cont. Amperage:	29.2A / 14.6A		36.7A / 18.3A		
Frequency:	60Hz				
Fuel Tank Capacity:	5.9 gal.			5.7 gal.	
Run Time Hours / Tank of Fuel*:	9.3 hrs.		6.8 hrs.		
* Rated at Full Load					

---

**NOTES**

---

**SERIAL BREAK NUMBER:**

2/22/06

40031444

40036451

40056185

40060725

7-02-14

**SERIAL BREAK EXPLANATION:**

ADDED NEW MACHINE: GEN-3000-1MH0

GEN-5000-0MS0 MUFFLER CHANGE

GEN-4000-0MS0 MUFFLER CHANGE

ADDED CARB CANISTERS

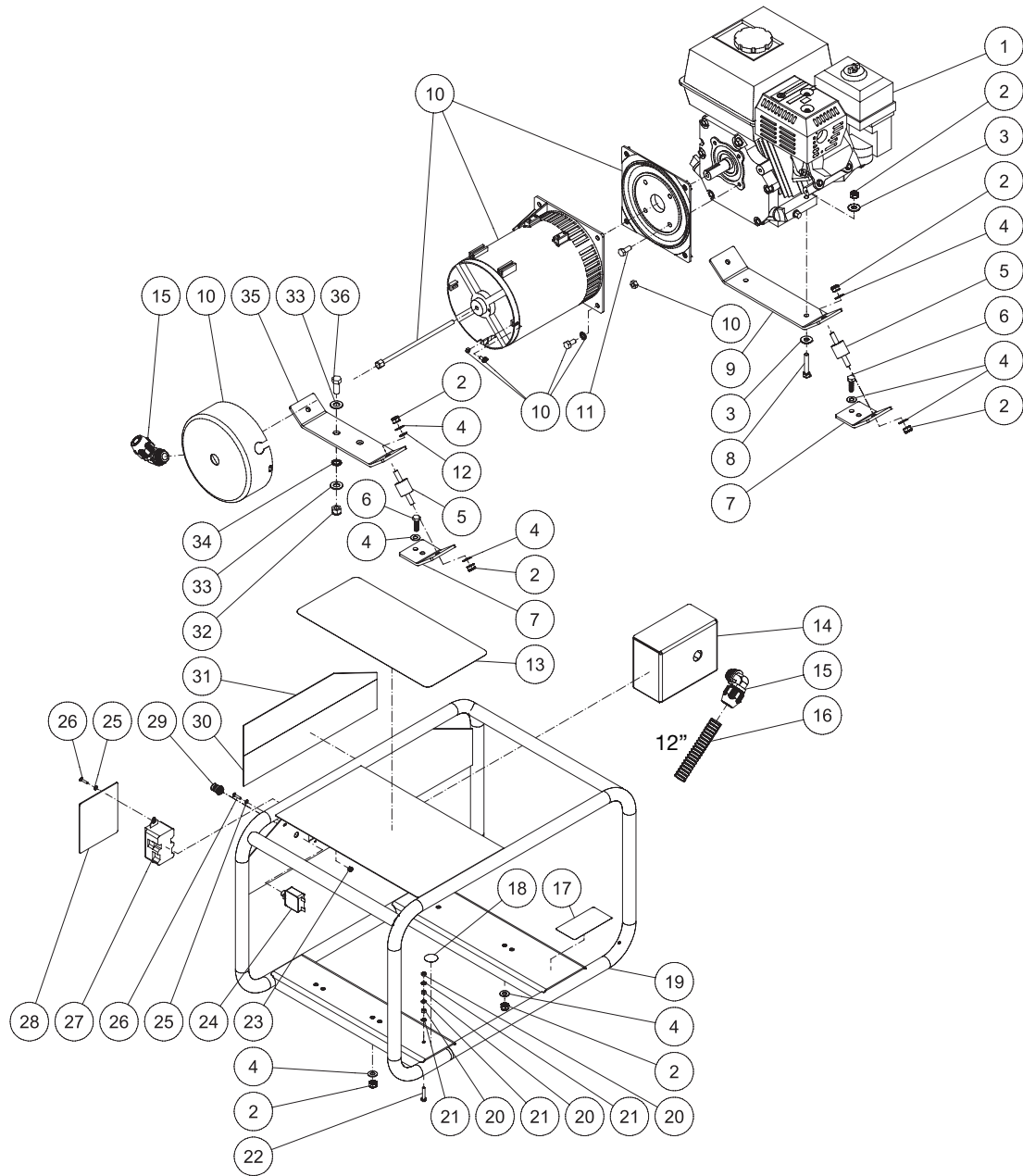
ALTERNATOR CHANGE

ADDED GEN-3000-1MK0

---

**NOTES**

# GEN-3000-0MH0

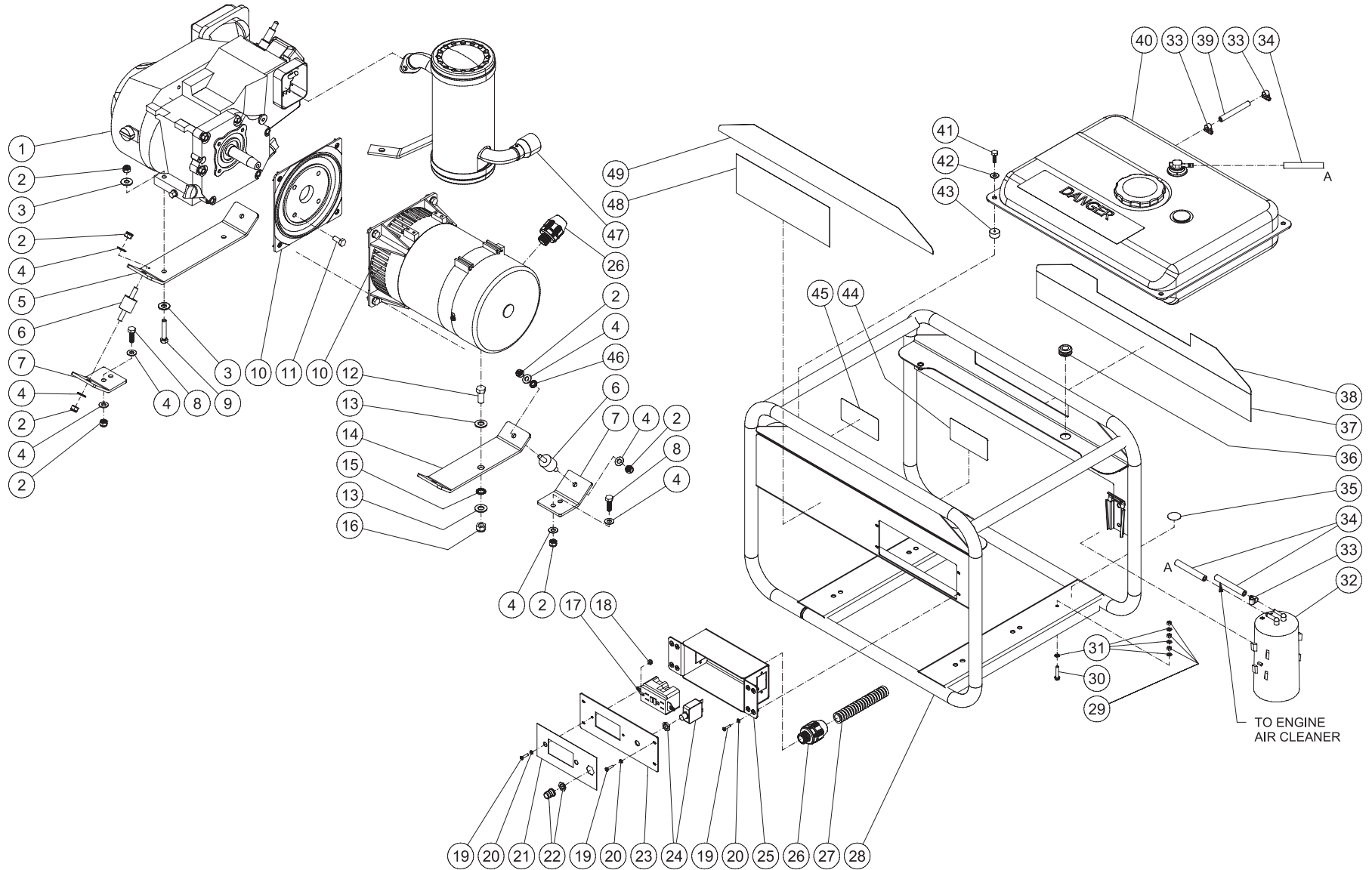


GEN 2500 3000 UNIT ASSY-101912-CH

## FRAME ASSEMBLY

ITEM	DESCRIPTION	PART #	QTY	ITEM	DESCRIPTION	PART #	QTY
1	ENGINE - HONDA (GEN-3000-0MH0)	1-0154	1	20	NUT	30-6001	3
2	LOCKNUT	30-0157	18	21	STAR WASHER	28-1009	4
3	WASHER	28-0022	4	22	BOLT	27-8807	1
4	WASHER	28-0003	24	23	LOCKNUT	30-0152	2
5	ISOLATOR	14-0096	4	24	CIRCUIT BREAKER	32-0438	1
6	BOLT	27-0067	8	25	LOCKWASHER	29-1013	6
7	ISOLATOR MOUNTING BRACKET	5-0236A01	4	26	SCREW	27-8881	6
8	BOLT	27-0070	2	27	GFCI DUPLEX RECEPTACLE	32-0830	1
9	ISOLATION PLATE	5-0237A01	1	28	DECAL - CONTROL PANEL (SEE 71-0024)	N/A	1
10	ALTERNATOR	32-0823	1	29	CIRCUIT BREAKER BOOT	32-0441	1
11	BOLT	27-0091	4	30	DECAL - OPERATIONS (SEE 71-0024)	N/A	1
12	LOCKWASHER	29-0110	1	31	DECAL - MARKETING (GEN-3000-0MH0)	N/A	1
13	DECAL- WARNINGS (SEE 71-0024)	N/A	1	32	LOCKNUT	30-0161	1
14	ELECTRIC BOX	20-0827A01	1	33	WASHER	28-0005	2
15	CONDUIT ELBOW	32-0254	2	34	LOCKWASHER	29-0112	1
16	CONDUIT FLEX *(ONE FOOT REQUIRED)	32-0253	1	35	ISOLATION PLATE	5-0235A01	1
17	DECAL- SILVER STICKER	N/A	1	36	BOLT	27-0166	1
18	DECAL- GROUND PICTORIAL (SEE 71-0024)	N/A	1	-	DECAL SET	71-0024	1
19	FRAME	5-0233A01	1	*MUST ORDER IN ONE FOOT LENGTHS			

**GEN-3000-1MH0 (AFTER SERIAL #40072447) AND GEN-3000-1MK0**



GEN-3000-1MH0\_1MK0 070214

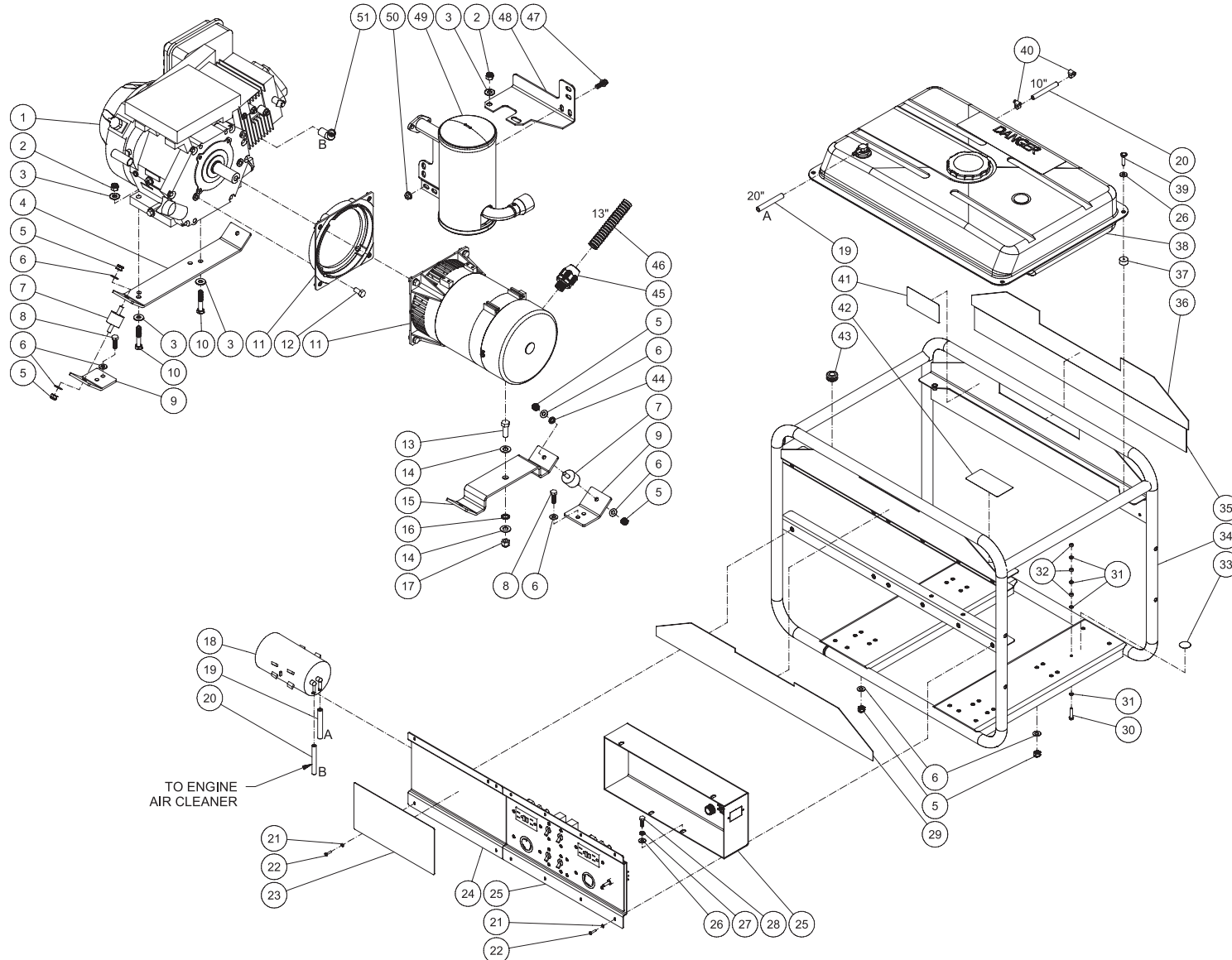


## FRAME ASSEMBLY

ITEM	TITLE	Mi-T-M #	QTY	ITEM	TITLE	Mi-T-M #	QTY
1	ENGINE - HONDA (1MH0)	1-0164	1	26	CONDUIT FITTING	32-0255	2
-	ENGINE - KOHLER (1MK0)	1-0210	1	27	CONDUIT FLEX *(ONE FOOT REQUIRED)	32-0253	1
2	LOCKNUT	30-0157	19	28	FRAME	5-0259A01	1
3	WASHER	28-0022	6	29	NUT	30-6001	3
4	WASHER	28-0003	24	30	BOLT	27-8807	1
5	ISOLATION PLATE	20-0878A01	1	31	STAR WASHER	28-1009	4
6	ISOLATOR	14-0096	4	32	CARBON CANISTER	62-0210	1
7	ISOLATOR MOUNTING BRACKET	5-0236A01	4	33	CLAMP WORM	42-0004	3
8	BOLT	27-0067	8	34	FUEL HOSE *(FOUR FEET REQUIRED)	15-0008	1
9	BOLT	27-0070	3	35	DECAL- GROUND PICTORIAL (SEE 71-4000)	34-0889	1
10	ALTERNATOR	32-0823	1	36	GROMMET	33-0001	1
11	BOLT	27-0091	4	37	DECAL- WARNINGS (SEE 71-4000)	N/A	1
12	BOLT	27-0166	1	38	DECAL - MARKETING	N/A	1
13	WASHER	28-0005	2	39	FUEL HOSE *(ONE FOOT REQUIRED)	15-0261	1
14	ISOLATION PLATE	20-0879A01	1	40	FUEL TANK ASSEMBLY	856-0028	1
15	LOCKWASHER	29-0112	1	41	BOLT	27-0015	4
16	LOCKNUT	30-0161	1	42	WASHER	28-0002	4
17	GFCI DUPLEX RECEPTACLE	32-0830	1	43	FUEL TANK MOUNT	14-0103	4
18	LOCKNUT	30-0152	2	44	DECAL- CALIFORNIA EMISSIONS	N/A	1
19	SCREW	27-8881	10	45	DECAL- SILVER STICKER	N/A	1
20	LOCKWASHER	29-1013	10	46	LOCKWASHER	29-0110	1
21	DECAL- CONTROL PANEL (SEE 71-4000)	N/A	1	47	MUFFLER (1MH0)	45-0119	1
22	CIRCUIT BREAKER BOOT	32-0441	1	-	MUFFLER (1MK0)	45-0409	1
23	CONTROL PANEL	20-0880A01	1	48	DECAL- OPERATION (SEE 71-4000)	N/A	1
24	CIRCUIT BREAKER	32-0438	1	49	DECAL - MARKETING	N/A	1
25	ELECTRIC BOX	20-0877A01	1	-	DECAL SET	71-4000	1

\*MUST ORDER IN ONE FOOT LENGTHS

# GEN-4000-0MH0 (AFTER SERIAL #40056185)



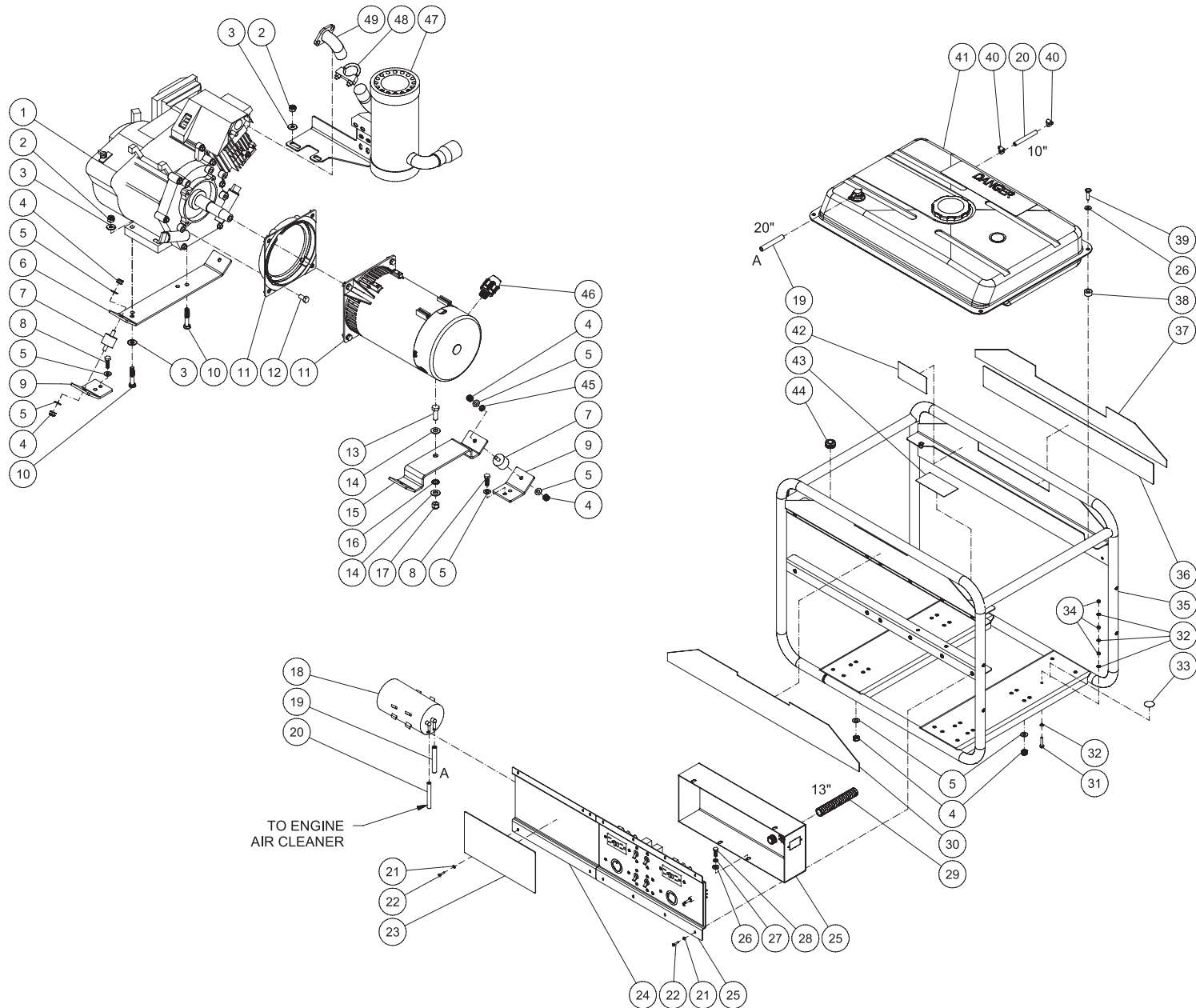
GEN-4000-0MH0 112213 ALC

## FRAME ASSEMBLY

ITEM	DESCRIPTION	PART #	QTY	ITEM	DESCRIPTION	PART #	QTY
1	ENGINE - 8.0HP HONDA	1-0189	1	27	LOCKWASHER	29-0006	4
2	LOCKNUT	30-0159	3	28	BOLT	27-0015	4
3	WASHER	28-0022	6	29	DECAL - MARKETING (SEE 71-4004)	N/A	1
4	ENGINE ISOLATION PLATE	5-0238A01	1	30	BOLT	27-8807	1
5	LOCKNUT	30-0157	16	31	STAR WASHER	28-1009	4
6	WASHER	28-0003	24	32	NUT	30-6001	3
7	ISOLATOR	14-0107	4	33	DECAL- GROUND PICTORIAL (SEE 71-4004)	N/A	1
8	BOLT	27-0067	8	34	FRAME	5-0232A01	1
9	ISOLATOR MOUNTING BRACKET	5-0236A01	4	35	DECAL - WARNINGS (SEE 71-4004)	N/A	1
10	BOLT	27-0121	3	36	DECAL - MARKETING (SEE 71-4004)	N/A	1
11	ALTERNATOR	32-0824	1	37	FUEL TANK MOUNT	14-0103	4
12	BOLT	27-0116	4	38	FUEL TANK ASSEMBLY	856-0026	1
13	BOLT	27-0167	1	39	BOLT	27-0016	4
14	WASHER	28-0005	2	40	CLAMP WORM	42-0004	2
15	ALTERNATOR ISOLATION PLATE	5-0234A01	1	41	DECAL- CALIFORNIA EMISSIONS	34-1817	1
16	LOCKWASHER	29-0112	1	42	DECAL- SILVER STICKER	N/A	1
17	LOCKNUT	30-0161	1	43	GROMMET	33-0001	1
18	CARBON CANISTER	62-0210	1	44	LOCKWASHER	29-0110	1
19	FUEL HOSE *(TWO FEET REQUIRED)	15-0008	1	45	CONDUIT FITTING	32-0255	1
20	FUEL HOSE *(THREE FEET REQUIRED)	15-0261	1	46	CONDUIT FLEX *(TWO FEET REQUIRED)	32-0253	1
21	LOCKWASHER	29-1013	12	47	BOLT	27-9524	2
22	SCREW	27-8881	12	48	MUFFLER MOUNTING BRACKET	20-1292A52	1
23	DECAL - OPERATIONS (SEE 71-4004)	N/A	1	49	MUFFLER	45-0085	1
24	COVER PLATE	5-0239A01	1	50	NUT	30-3023	2
25	ELECTRIC BOX ASSEMBLY	32-9501	1	51	AIR CLEANER ADAPTER	62-0229	1
26	WASHER	28-0002	8	-	DECAL SET - GENERATORS	71-4004	1

\*MUST ORDER IN ONE FOOT LENGTHS

**GEN-4000-0MS0 (AFTER SERIAL #40036451) GEN-5000-0MS0 (AFTER SERIAL # 40060725)**



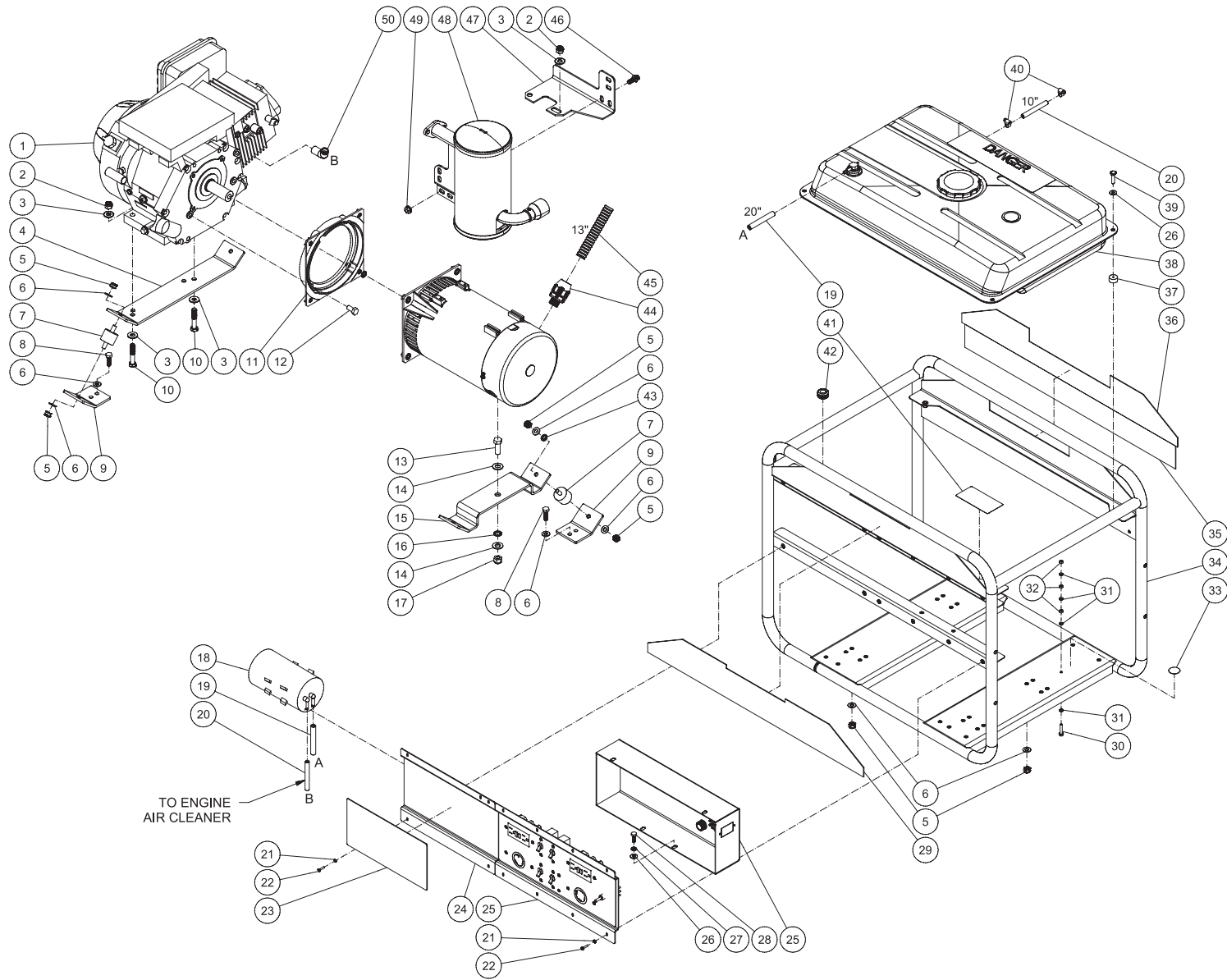
GEN-4000/5000-0MS0-101912-CH

## FRAME ASSEMBLY

ITEM	DESCRIPTION	PART #	QTY	ITEM	DESCRIPTION	PART #	QTY
1	ENGINE - ROBINS 9.0HP (GEN-5000-0MS0)	1-0147	1	24	COVER PLATE	5-0239A01	1
-	ENGINE - ROBIN 7.0HP (GEN-4000-0MS0)	1-0146	1	25	ELECTRIC BOX ASSEMBLY	32-9501	1
2	LOCKNUT (GEN-5000-0MS0)	30-0159	3	26	WASHER	28-0002	8
-	LOCKNUT (GEN-4000-0MS0)	30-0157	2	27	LOCKWASHER	29-0006	4
3	WASHER	28-0022	6	28	BOLT	27-0015	4
4	LOCKNUT	30-0157	16	29	CONDUIT FLEX *(TWO FEET REQUIRED)	32-0253	1
5	WASHER	28-0003	24	30	DECAL - MARKETING (SEE 71-4006) (GEN-5000-0MS0)	N/A	1
6	ENGINE ISOLATION PLATE	5-0238A01	1	-	DECAL - MARKETING (SEE 71-4004) (GEN-4000-0MS0)	N/A	2
7	ISOLATOR	14-0107	4	31	BOLT	27-8807	1
8	BOLT	27-0067	8	32	STAR WASHER	28-1009	4
9	ISOLATOR MOUNTING BRACKET	5-0236A01	4	33	DECAL- GROUND PICTORIAL (SEE 71-4004 AND 71-4006)	N/A	1
10	BOLT (GEN-5000-0MS0)	27-0121	3	34	NUT	30-6001	3
-	BOLT (GEN-4000-0MS0)	27-0070	3	35	FRAME	5-0232A01	1
11	GENERATOR (GEN-5000-0MS0)	32-1035	1	36	DECAL - WARNINGS (SEE 71-4004 AND 71-4006)	N/A	1
-	GENERATOR (GEN-4000-0MS0)	32-0823	1	37	DECAL - MARKETING (SEE 71-4004) (GEN-4000-0MS0)	N/A	1
12	BOLT (GEN-5000-0MS0)	27-0116	4	-	DECAL - MARKETING (SEE 71-4006) (GEN-5000-0MS0)	N/A	1
-	BOLT (GEN-4000-0MS0)	27-0091	4	38	FUEL TANK MOUNT	14-0103	4
13	BOLT	27-0167	1	39	BOLT	27-0016	4
14	WASHER	28-0005	2	40	CLAMP WORM	42-0004	2
15	ALTERNATOR ISOLATION PLATE (GEN-5000-0MS0)	5-0234A01	1	41	FUEL TANK ASSEMBLY	856-0026	1
-	ALTERNATOR ISOLATION PLATE (GEN-4000-0MS0)	5-0241A01	1	42	DECAL- CALIFORNIA EMISSIONS	N/A	1
16	LOCKWASHER	29-0112	1	43	DECAL- SILVER STICKER	N/A	1
17	LOCKNUT	30-0161	1	44	GROMMET (GEN-5000-0MS0)	33-0001	1
18	CARBON CANISTER (GEN-5000-0MS0)	62-0210	1	45	LOCKWASHER	29-0110	1
19	FUEL HOSE *(TWO FEET REQUIRED) (GEN-5000-0MS0)	15-0008	1	46	CONDUIT FITTING	32-0255	1
20	FUEL HOSE *(THREE FEET REQUIRED) (GEN-5000-0MS0)	15-0261	1	47	MUFFLER	45-0123	1
-	FUEL HOSE *(ONE FOOT REQUIRED) (GEN-4000-0MS0)	15-0261	1	48	MUFFLER CLAMP	45-0128	1
21	LOCKWASHER	29-1013	12	49	MUFFLER INLET	45-0129	1
22	SCREW	27-8881	12	-	DECAL SET - GENERATORS (GEN-4000-0MS0)	71-4004	1
23	DECAL - OPERATIONS (SEE 71-4004 AND 71-4006)	N/A	1	-	DECAL SET - GENERATORS (GEN-5000-0MS0)	71-4006	1

\*MUST ORDER IN ONE FOOT LENGTHS

# GEN-5000-0MK0 AND GEN-5000-0MH0

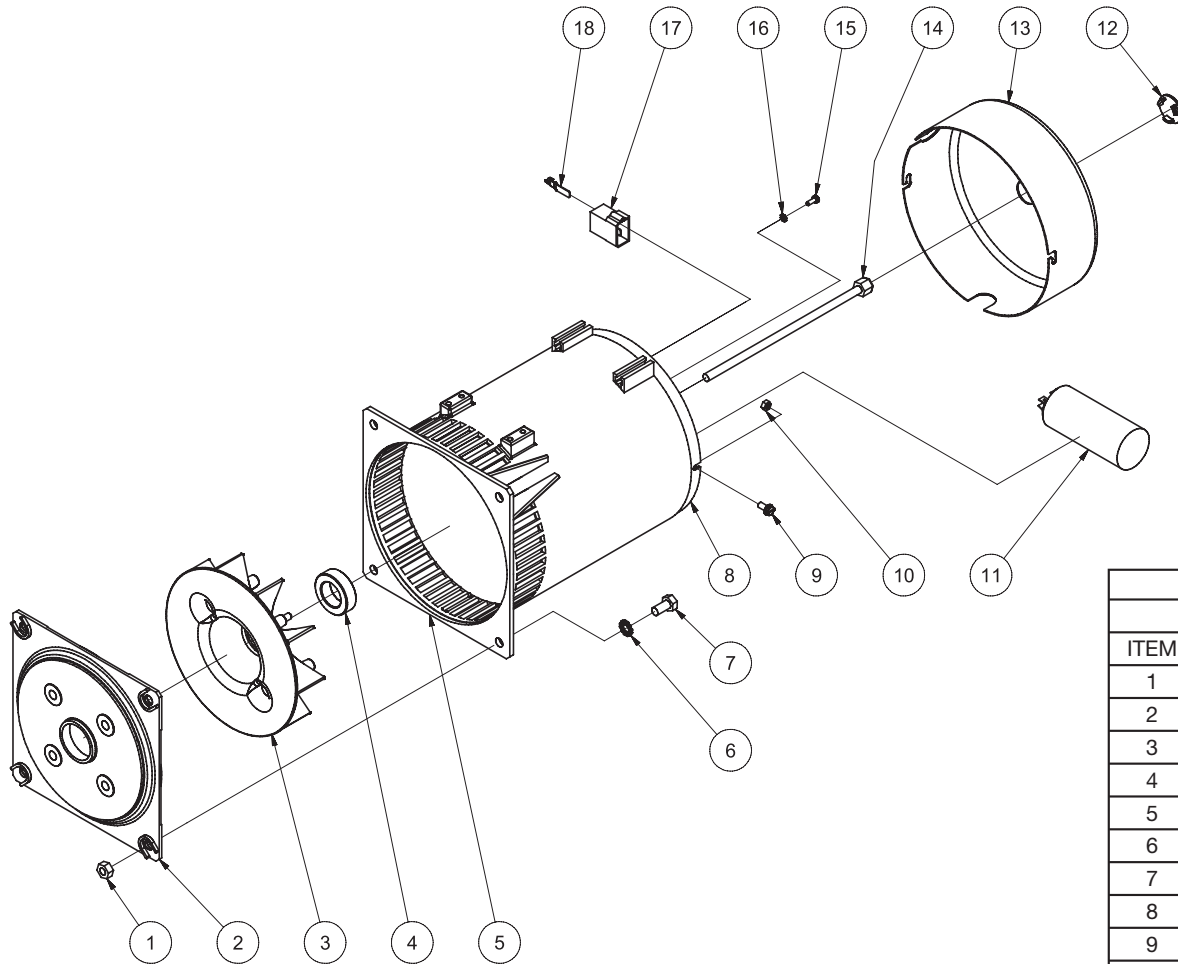


GEN-5000-0MK0\_H0 -031313-MLK

## FRAME ASSEMBLY

ITEM	DESCRIPTION	PART #	QTY	ITEM	DESCRIPTION	PART #	QTY
1	ENGINE - HONDA	1-0189	1	27	LOCKWASHER	29-0006	4
-	ENGINE - KOHLER	1-0211	1	28	BOLT	27-0015	4
2	LOCKNUT	30-0159	3	29	DECAL - MARKETING (SEE 71-4006)	N/A	1
3	WASHER	28-0022	6	30	BOLT	27-8807	1
4	ENGINE ISOLATION PLATE	5-0238A01	1	31	STAR WASHER	28-1009	4
5	LOCKNUT	30-0157	16	32	NUT	30-6001	3
6	WASHER	28-0003	24	33	DECAL- GROUND PICTORIAL (SEE 71-4006)	N/A	1
7	ISOLATOR	14-0107	4	34	FRAME	5-0232A01	1
8	BOLT	27-0067	8	35	DECAL - WARNINGS (SEE 71-4006)	N/A	1
9	ISOLATOR MOUNTING BRACKET	5-0236A01	4	36	DECAL - MARKETING (SEE 71-4006)	N/A	1
10	BOLT	27-0121	3	37	FUEL TANK MOUNT	14-0103	4
11	GENERATOR	32-1035	1	38	FUEL TANK ASSEMBLY	856-0026	1
12	BOLT	27-0116	4	39	BOLT	27-0016	4
13	BOLT	27-0167	1	40	CLAMP WORM	42-0004	2
14	WASHER	28-0005	2	41	DECAL- SILVER STICKER	N/A	1
15	ALTERNATOR ISOLATION PLATE	5-0234A01	1	42	GROMMET	33-0001	1
16	LOCKWASHER	29-0112	1	43	LOCKWASHER	29-0110	1
17	LOCKNUT	30-0161	1	44	CONDUIT FITTING	32-0255	1
18	CARBON CANISTER	62-0210	1	45	CONDUIT FLEX *(TWO FEET REQUIRED)	32-0253	1
19	FUEL HOSE *(TWO FEET REQUIRED)	15-0008	1	46	BOLT	27-9524	2
20	FUEL HOSE *(FOUR FEET REQUIRED)	15-0261	1	47	MUFFLER MOUNTING BRACKET	20-1292A52	1
21	LOCKWASHER	29-1013	12	48	MUFFLER - HONDA	45-0085	1
22	SCREW	27-8881	12	-	MUFFLER - KOHLER	45-0410	1
23	DECAL - OPERATIONS (SEE 71-4006)	N/A	1	49	NUT	30-3023	2
24	COVER PLATE	5-0239A01	1	50	AIR CLEANER ADAPTER -HONDA	62-0229	1
25	ELECTRIC BOX ASSEMBLY	32-9501	1	-	DECAL SET - GENERATORS	71-4006	1
26	WASHER	28-0002	8	*MUST ORDER IN ONE FOOT LENGTHS			

## ALTERNATOR ASSEMBLY (32-0823)

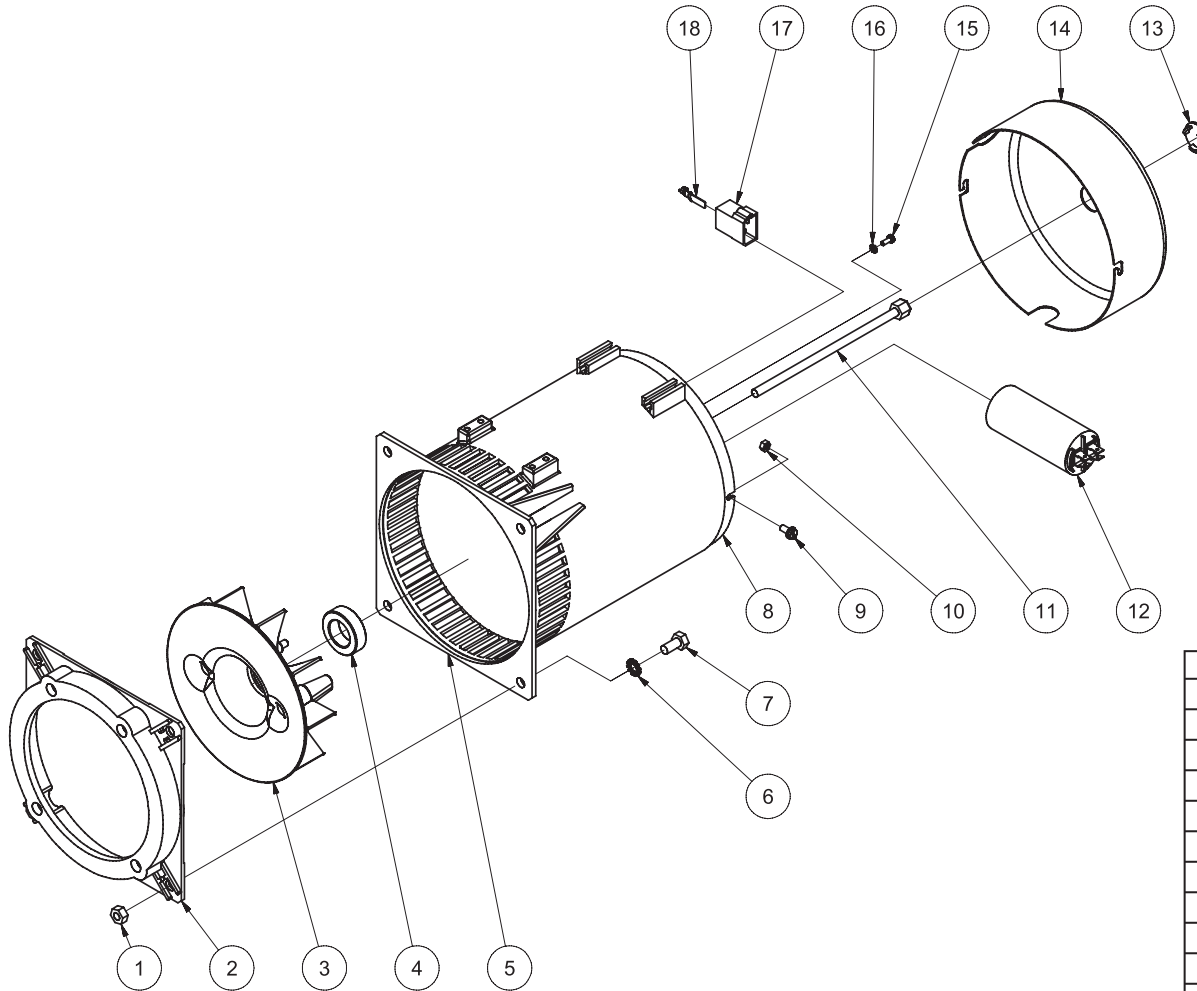


32-0825 070912 CH			
ALTERNATOR ASSEMBLY			
ITEM	DESCRIPTION	PART #	QTY
1	NUT	30-3007	4
2	ALTERNATOR FLANGE	52-0071	1
3	FAN	52-0093	1
4	BEARING	52-0096	1
5	BRACKET	52-0094	1
6	LOCKWASHER	29-0110	4
7	BOLT	27-8042	4
8	BRACKET	52-0095	1
9	SCREW	27-9593	2
10	NUT	30-6001	2
11	BOLT	27-9585	1
12	CAPACITOR	32-0874	1
13	ALTERNATOR CAP	52-0075	1
14	ALTERNATOR END COVER	52-0073	1
15	SCREW	27-9586	1
16	LOCKWASHER	29-1013	1
17	TERMINAL PLUG	52-0077	1
18	TERMINAL SPADE	32-0878	4

32-0823-070912-KMD

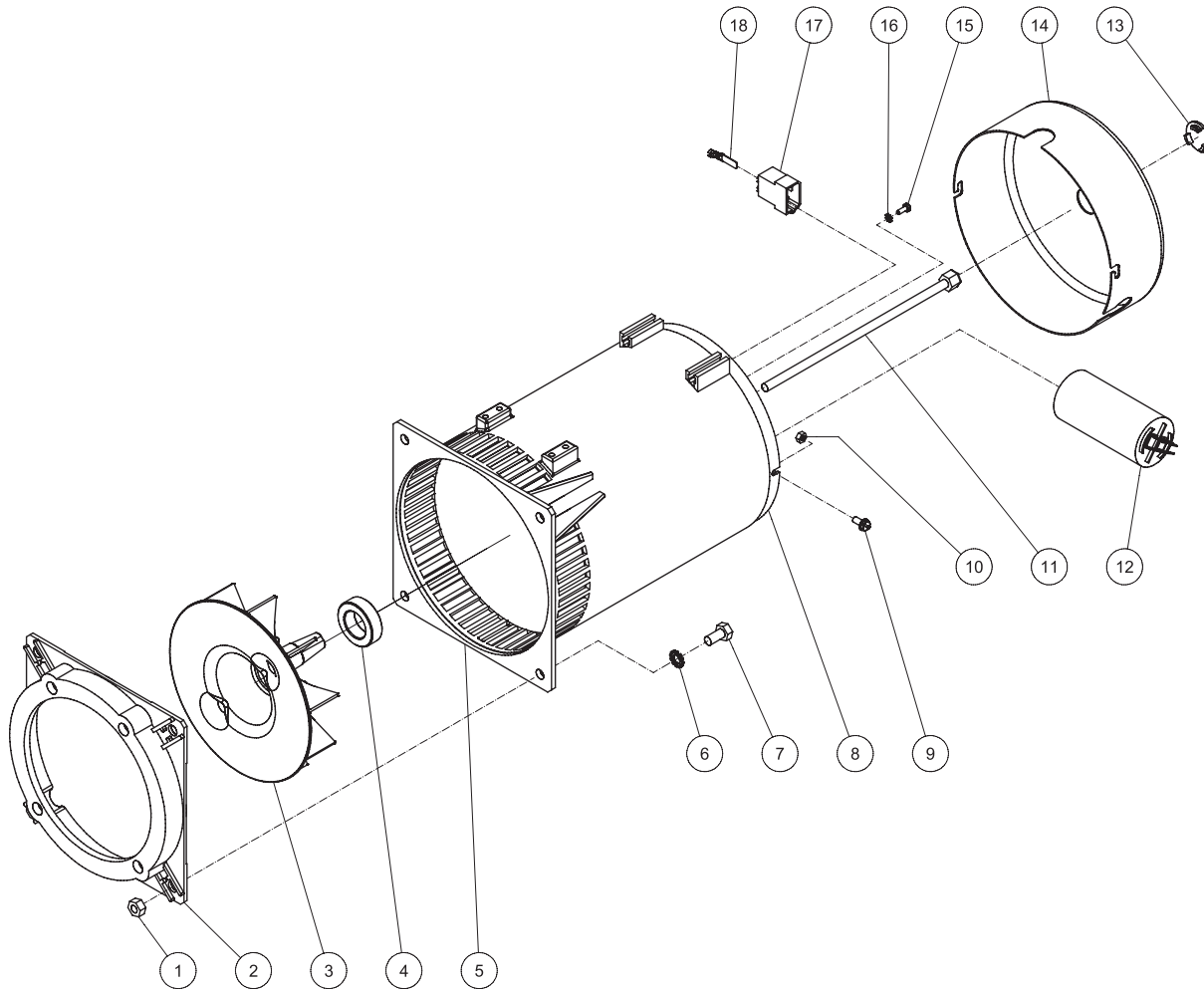


## ALTERNATOR ASSEMBLY (32-0824)



32-0824 070912 KMD			
ALTERNATOR ASSEMBLY			
ITEM	DESCRIPTION	PART #	QTY
1	NUT	30-3007	4
2	ALTERNATOR FLANGE	52-0071	1
3	FAN	52-0093	1
4	BEARING	52-0096	1
5	BRACKET - DRIVE END	52-0094	1
6	LOCKWASHER	29-0110	4
7	BOLT	27-8042	4
8	BRACKET - NON DRIVE END	52-0095	1
9	SCREW	27-9593	2
10	NUT	30-6001	2
11	BOLT	27-9583	1
12	CAPACITOR	32-0873	1
13	ALTERNATOR CAP	52-0075	1
14	ALTERNATOR END COVER	52-0073	1
15	SCREW	27-9586	1
16	LOCKWASHER	29-1013	1
17	TERMINAL PLUG	52-0077	1
18	TERMINAL SPADE	32-0878	4

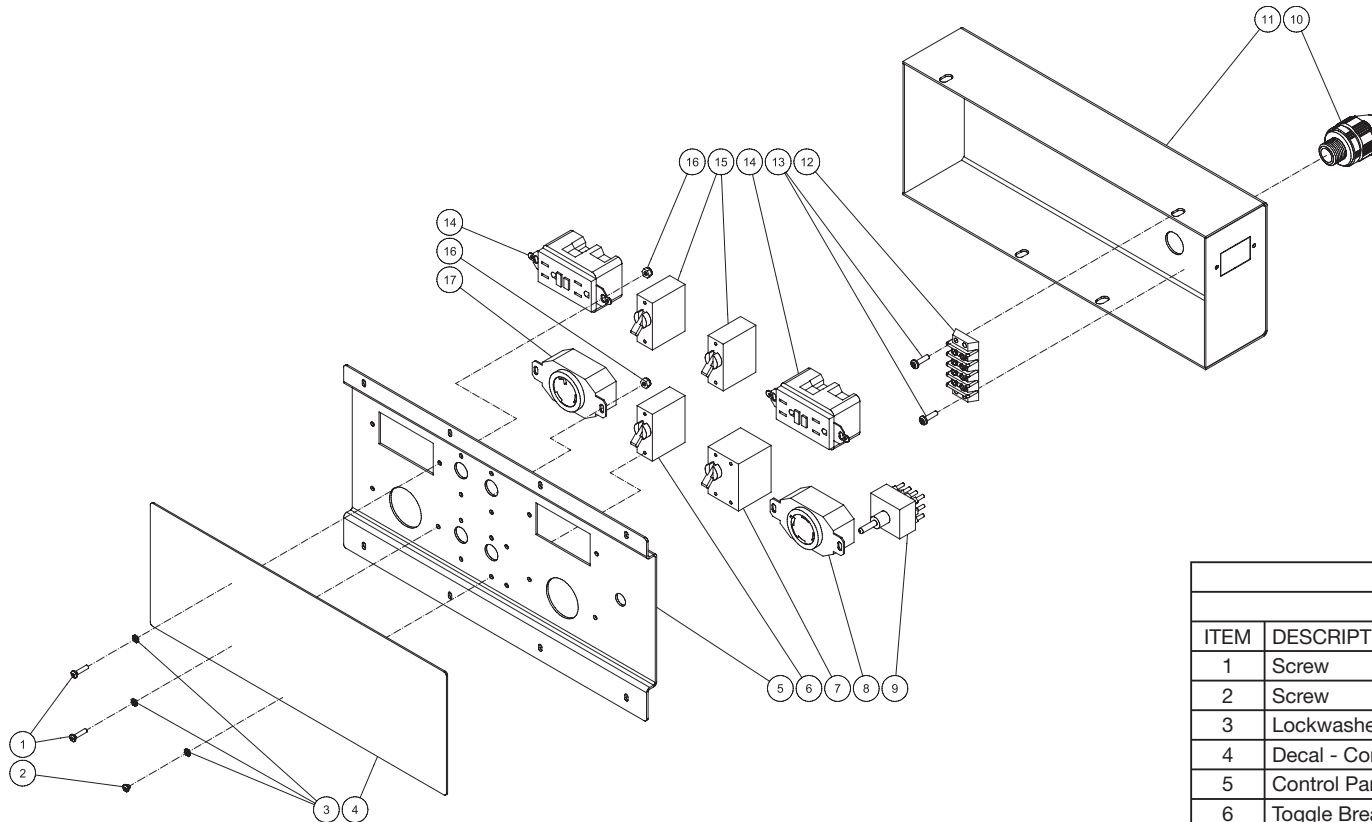
## ALTERNATOR ASSEMBLY (32-1035)



32-1035 070912-CH			
ALTERNATOR (32-1035)			
ITEM	DESCRIPTION	PART #	QTY
1	NUT	30-3007	4
2	ALTERNATOR FLANGE	52-0071	1
3	FAN-ALTERNATOR	52-0093	1
4	BEARING	52-0096	1
5	BRACKET	52-0094	1
6	LOCKWASHER	29-0110	4
7	BOLT	27-8042	4
8	BRACKET	52-0095	1
9	SCREW	27-9593	2
10	NUT	30-6001	2
11	BOLT	27-9585	1
12	CAPACITOR	32-1088	1
13	ALTERNATOR CAP	52-0075	1
14	ALTERNATOR END COVER	52-0073	1
15	SCREW	27-9586	1
16	LOCKWASHER	29-1013	1
17	TERMINAL PLUG	52-0077	1
18	TERMINAL SPADE	32-0878	4

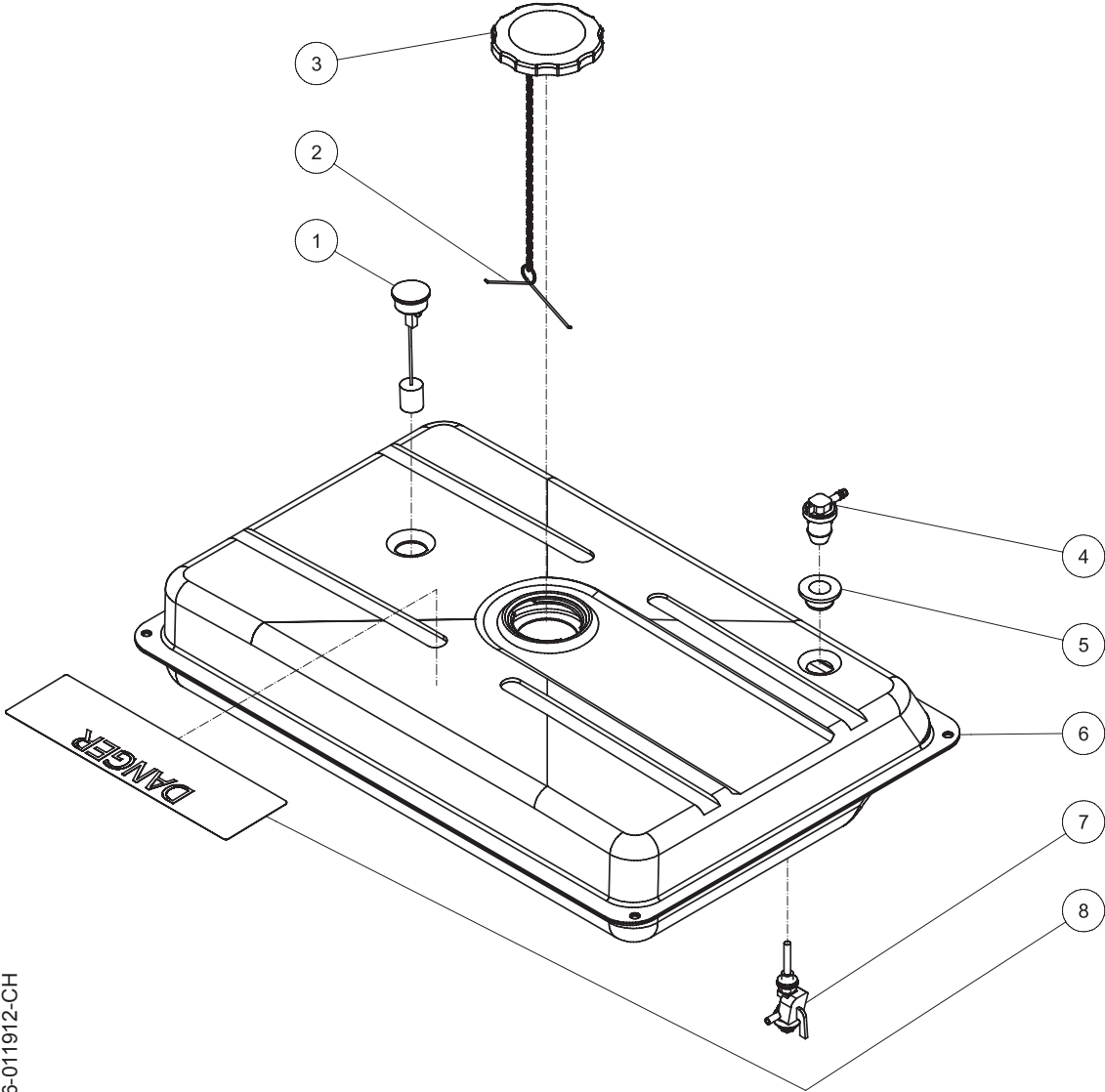
32-1035-070912-KMD

## E-BOX ASSEMBLY (32-9501)



32-9501-041910-CH				
E BOX ASSEMBLY (32-9501)				
ITEM	DESCRIPTION	PART #	QTY	
1	Screw	27-8881	8	
2	Screw	27-9574	10	
3	Lockwasher	29-1013	18	
4	Decal - Control Panel *(SEE 34-9038)	N/A	1	
5	Control Panel	5-0240A01	1	
6	Toggle Breaker - 30A	32-0836	1	
7	Toggle Breaker - 20A	32-0835	1	
8	125/250 Volt Receptacle	32-0833	1	
9	Toggle Switch	32-0843	1	
10	Conduit Fitting	32-0255	1	
11	Electric Box	20-0828A01	1	
12	Terminal Strip	32-0227	1	
13	Screw	27-8942	2	
14	Gfci Duplex Receptacle	32-0830	2	
15	Toggle Breaker - 20A	32-0834	2	
16	Locknut	30-0152	8	
17	120V-30A Receptacle	32-0832	1	
-	Decal Set	34-9038	1	
-	Wire Kit (Not Shown)	32-9103	1	

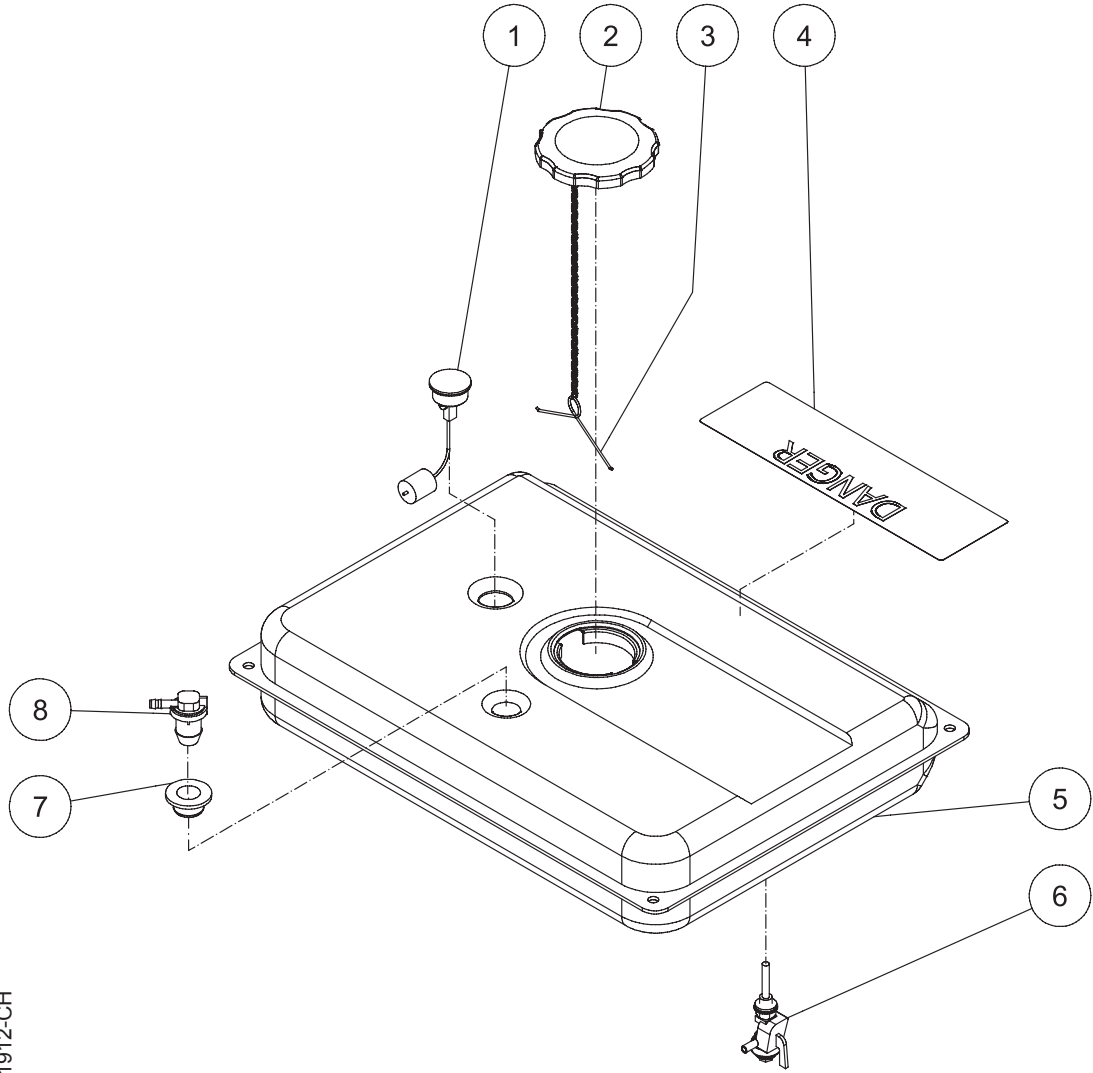
### FUEL TANK ASSEMBLY (856-0026)



856-0026 011912 CH			
FUEL TANK			
ITEM	DESCRIPTION	PART #	QTY
1	FUEL GAUGE	12-0163	1
2	FUEL CAP CATCH	12-0228	1
3	FUEL CAP	12-0227	1
4	VENTED ROLL OVER VALVE	62-0230	1
5	ROLLOVER VALVE GROMMET	62-0214	1
6	FUEL TANK	12-0175A09	1
7	SHUT OFF VALVE	19-0553	1
8	DECAL- WARNING	34-1916	1

856-0026-011912-CH

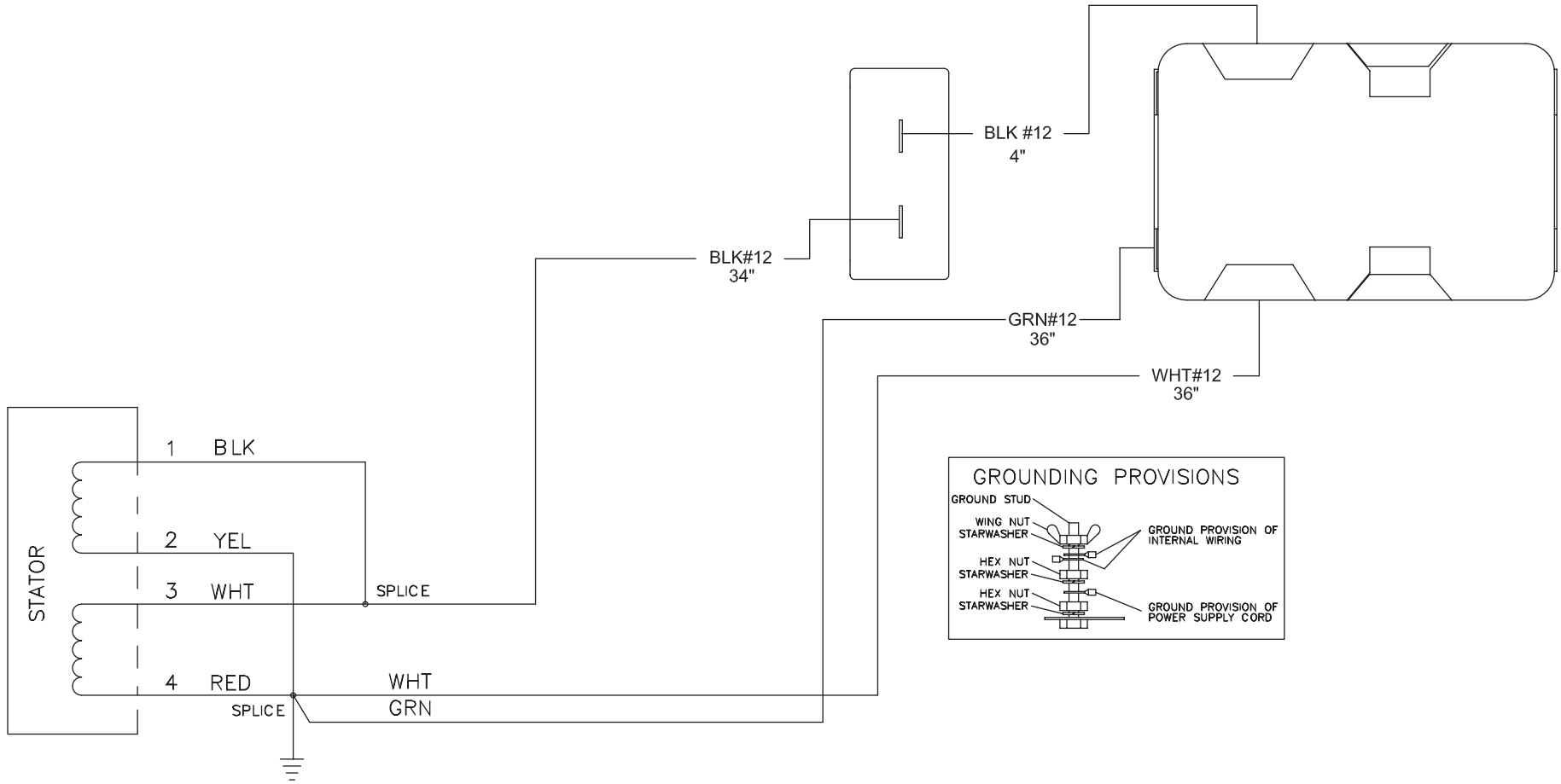
### FUEL TANK ASSEMBLY (856-0028)



856-0028 011912 CH			
FUEL TANK ASSEMBLY			
ITEM	DESCRIPTION	PART #	QTY
1	FUEL GAUGE	12-0163	1
2	FUEL CAP	12-0227	1
3	FUEL CAP CATCH	12-0228	1
4	DECAL - WARNING	34-1916	1
5	FUEL TANK	12-0185A09	1
6	SHUT OFF VALVE	19-0553	1
7	ROLLOVER VALVE GROMMET	62-0214	1
8	VENTED ROLL OVER VALVE	62-0230	1

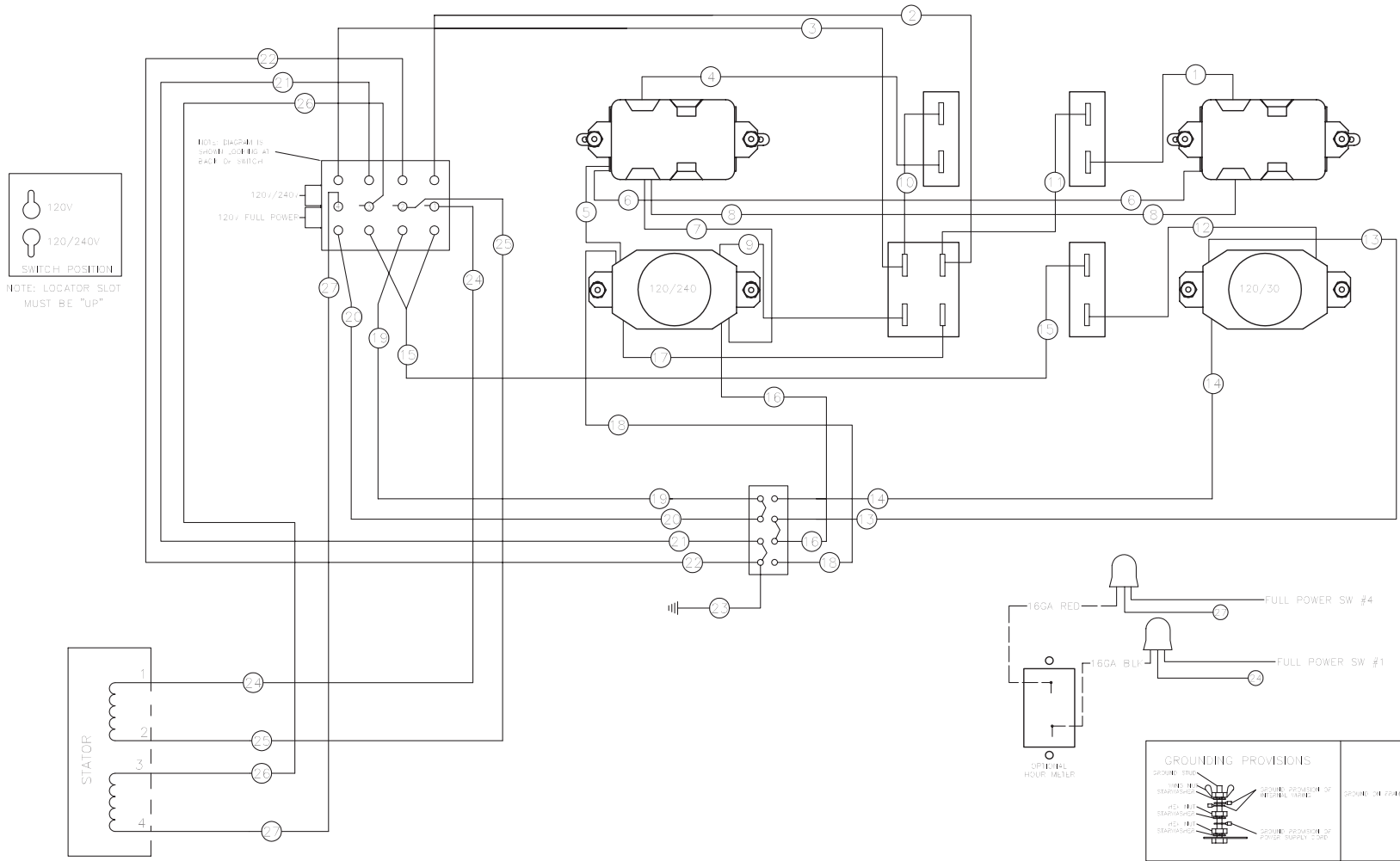
856-0028-011912-CH

# WIRE DIAGRAM FOR GEN-3000



GEN 2500 3000 WIRE DIAGRAM-080404-KZ

# WIRE DIAGRAM FOR GEN-4000 & GEN-5000



GEN-4000/5000 WIRE DIAGRAM-050712-RSW

Manufactured by Mi-T-M  
8650 Enterprise Drive, Peosta IA 52068  
563-556-7484/ Fax 563-556-1235